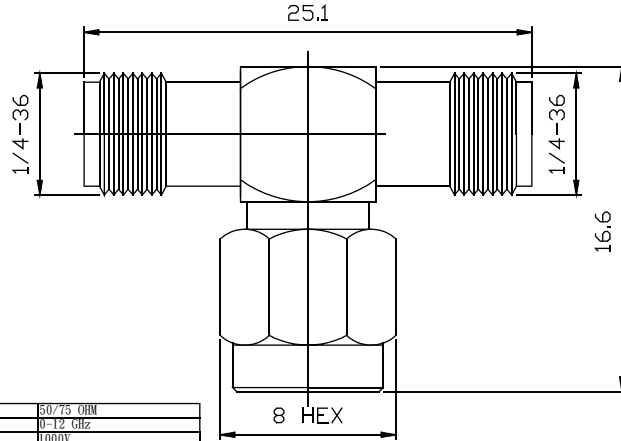




CONNECTORS MANUFACTURER

SMA Conn. Series

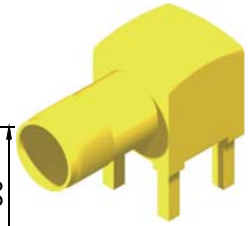
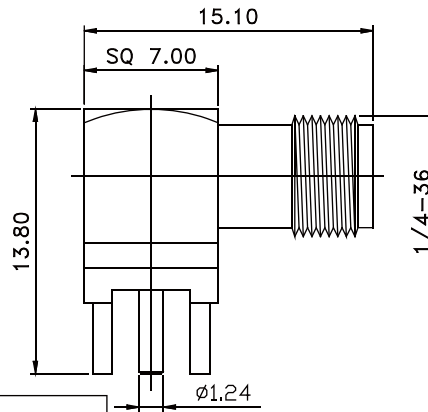
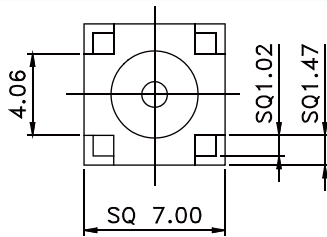
SMA Conn.



NO	DESCRIPTION	MATERIAL	FINISH	QTY
10	PIN	BRASS	GOLD	1
9	BODY	BRASS	GOLD	2
8	SHELL	BRASS	GOLD	1
7	GASKET	BRASS		1
6	RETAINING RING	BRASS	GOLD	1
5	DIELECTRIC	TEFLON		1
4	DIELECTRIC	TEFLON		2
3	PIN	BRASS	GOLD	1
2	BODY	BRASS	GOLD	1
1	BODY	BRASS	GOLD	1

IMPEDANCE	50/75 OHM
FREQUENCY	0-12 GHz
DIELECTRIC WITHSTANDING VOLTAGE 50 Hz RMS	1000V
WORKING VOLTAGE DC	500V
INSULATION RESISTANCE	5000 MEGOHMS MIN
CONTACT RESISTANCE	INNER CONDUCTOR ≤ 3 MILLIOHMS
	OUTER CONDUCTOR ≤ 0.5 MILLIOHMS
INSERTION LOSS (dB MAX.)	STRAIGHT CONNECTOR .15 dB MAX. AT 1.0GHz
	RIGHT ANGLE CONNECTOR .30 dB MAX. AT 1.0GHz

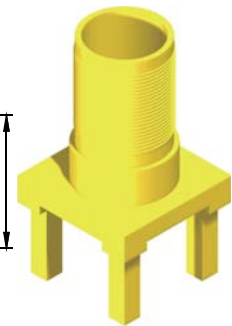
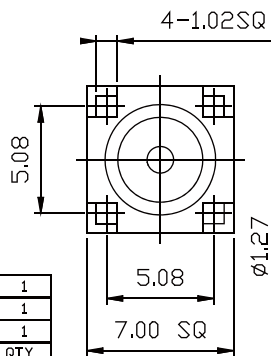
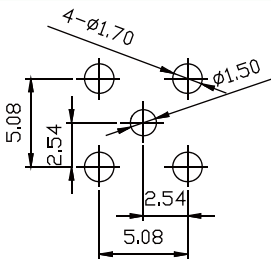
Part No.: SMA008-M GW-L
5:50 Ω 7:75 Ω



NO	DESCRIPTION	MATERIAL	FINISH	QTY
5	DIELECTRIC	TEFLON		1
4	DIELECTRIC	TEFLON		1
3	PIN	BRASS	GOLD	1
2	BODY	BRASS	GOLD	1
1	BODY	BRASS	GOLD	1

IMPEDANCE	50/75 OHM
FREQUENCY	0-12 GHz
DIELECTRIC WITHSTANDING VOLTAGE 50 Hz RMS	1000V
WORKING VOLTAGE DC	500V
INSULATION RESISTANCE	5000 MEGOHMS MIN
CONTACT RESISTANCE	INNER CONDUCTOR ≤ 3 MILLIOHMS
	OUTER CONDUCTOR ≤ 0.5 MILLIOHMS
INSERTION LOSS (dB MAX.)	STRAIGHT CONNECTOR .15 dB MAX. AT 1.0GHz
	RIGHT ANGLE CONNECTOR .30 dB MAX. AT 1.0GHz

Part No.: SMA009-F GW-L
5:50 Ω 7:75 Ω



NO	DESCRIPTION	MATERIAL	FINISH	QTY
3	DIELECTRIC	TEFLON		1
2	PIN	BRASS	GOLD	1
1	BODY	BRASS	GOLD	1

IMPEDANCE	50/75 OHM
FREQUENCY	0-12 GHz
DIELECTRIC WITHSTANDING VOLTAGE 50 Hz RMS	1000V
WORKING VOLTAGE DC	500V
INSULATION RESISTANCE	5000 MEGOHMS MIN
CONTACT RESISTANCE	INNER CONDUCTOR ≤ 3 MILLIOHMS
	OUTER CONDUCTOR ≤ 0.5 MILLIOHMS
INSERTION LOSS (dB MAX.)	STRAIGHT CONNECTOR .15 dB MAX. AT 1.0GHz
	RIGHT ANGLE CONNECTOR .30 dB MAX. AT 1.0GHz

Part No.: SMA010-F GW-L
5:50 Ω 7:75 Ω



ROHS