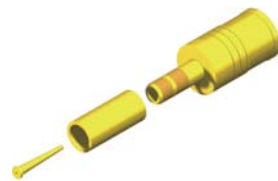
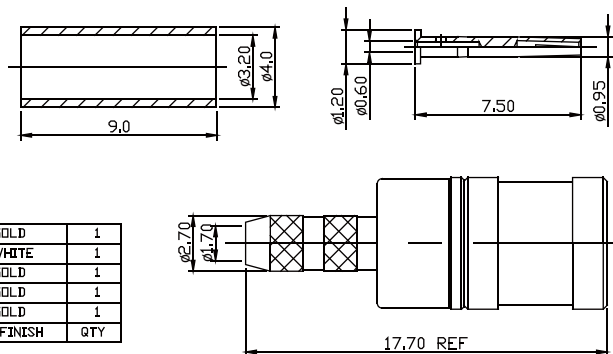


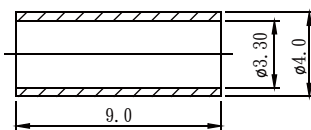
### SMB Conn. Series



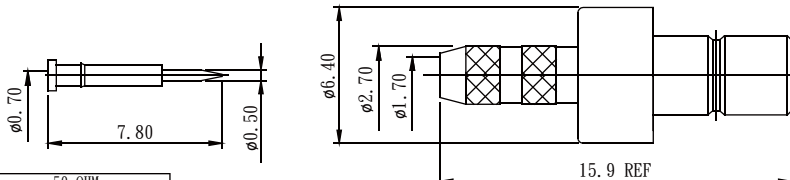
5	FERRULE	BRASS	GOLD	1
4	DIELECTRIC	TEFLON	WHITE	1
3	PIN	BRASS	GOLD	1
2	BODY	BRASS	GOLD	1
1	BODY	BRASS	GOLD	1
NO	DESCRIPTION	MATERIAL	FINISH	QTY

IMPEDANCE		50 OHM
FREQUENCY		0-4 GHz
DIELECTRIC WITHSTANDING VOLTAGE 50 Hz RMS		750V 1000V
WORKING VOLTAGE 50 Hz RMS		250V 335V
WORKING VOLTAGE DC		350V 450V
INSULATION RESISTANCE		1000 MEGOHMS MIN
CONTACT	INNER CONDUCTOR	3 MILLIOHMS
RESISTANCE	OUTER CONDUCTOR	0.5 MILLIOHMS
INSERTION LOSS	STRAIGHT CONNECTOR	.15 dB MAX. AT 1.0GHz
(dB MAX.)	RIGHT ANGLE CONNECTOR	.30 dB MAX. AT 1.0GHz

Part No.: **SMB001-M** **GW-L**  
5:50 Ω 7:75 Ω

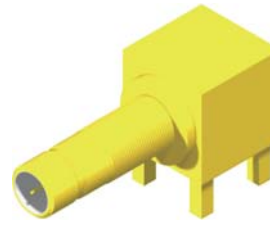
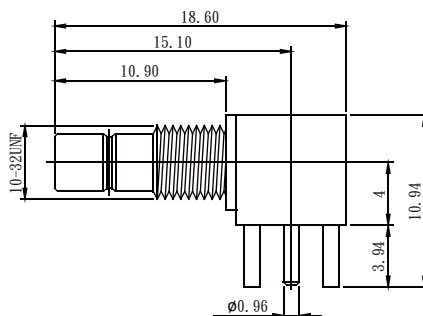
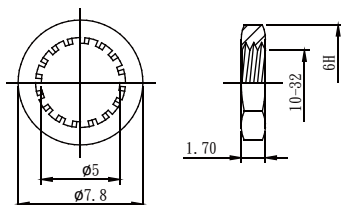


5	FERRULE	BRASS	GOLD	1
4	DIELECTRIC	TEFLON	NONE	1
3	PIN	BRASS	GOLD	1
2	BODY	BRASS	GOLD	1
1	BODY	BRASS	GOLD	1
NO	DESCRIPTION	MATERIAL	FINISH	QTY



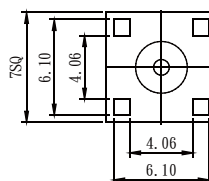
IMPEDANCE		50 OHM
FREQUENCY		0-4 GHz
DIELECTRIC WITHSTANDING VOLTAGE 50 Hz RMS		750V 1000V
WORKING VOLTAGE 50 Hz RMS		250V 335V
WORKING VOLTAGE DC		350V 450V
INSULATION RESISTANCE		1000 MEGOHMS MIN
CONTACT	INNER CONDUCTOR	3 MILLIOHMS
RESISTANCE	OUTER CONDUCTOR	0.5 MILLIOHMS
INSERTION LOSS	STRAIGHT CONNECTOR	.15 dB MAX. AT 1.0GHz
(dB MAX.)	RIGHT ANGLE CONNECTOR	.30 dB MAX. AT 1.0GHz

Part No.: **SMB002-M** **GW-L**  
5:50 Ω 7:75 Ω



7	NUT	BRASS	GOLD	1
6	WASHER	BRASS	GOLD	1
5	DIELECTRIC	TEFLON	NONE	1
4	DIELECTRIC	TEFLON	NONE	1
3	PIN	BRASS	GOLD	1
2	BODY	BRASS	GOLD	1
1	BODY	BRASS	GOLD	1
NO	DESCRIPTION	MATERIAL	FINISH	QTY

IMPEDANCE		50 OHM
FREQUENCY		0-4 GHz
DIELECTRIC WITHSTANDING VOLTAGE 50 Hz RMS		750V 1000V
WORKING VOLTAGE 50 Hz RMS		250V 335V
WORKING VOLTAGE DC		350V 450V
INSULATION RESISTANCE		1000 MEGOHMS MIN
CONTACT	INNER CONDUCTOR	3 MILLIOHMS
RESISTANCE	OUTER CONDUCTOR	0.5 MILLIOHMS
INSERTION LOSS	STRAIGHT CONNECTOR	.15 dB MAX. AT 1.0GHz
(dB MAX.)	RIGHT ANGLE CONNECTOR	.30 dB MAX. AT 1.0GHz



Part No.: **SMB003-F** **GW-L**  
5:50 Ω 7:75 Ω