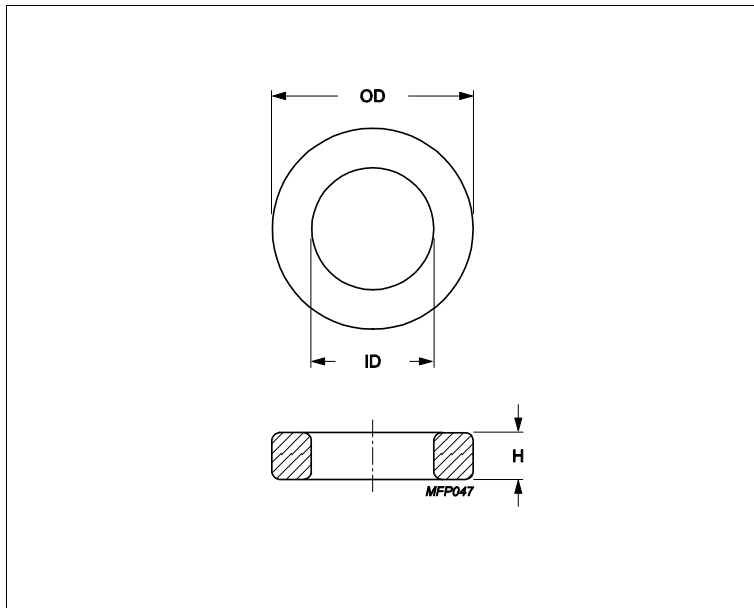


Core **Toroid 140/106/25**



Effective parameters			
	Parameter	Value	Unit
$\Sigma(I/A)$	core factor (C1)	0.903	mm ⁻¹
Ve	effective volume	161100	mm ³
Le	effective length	382	mm
Ae	effective area	422	mm ²
m	mass of core	≈ 800	g/pcs

Epoxy coating DC isolation voltage 2000.

Maximum operating temperature of the coating is 200°C.

Dimensions (mm)

Cores	OD	ID	H	
T140/106/25	140 ± 3	106 ± 2	25 ± 1	Uncoated
TX140/106/25	143.5 max	103.6 min	26.4 max	Epoxy Coated

Core data

Cores	Material	AI (nH/turns ²)	AI tolerance	μe
T140/106/25	3C11	6000	± 25%	≈ 4300
T140/106/25	3C94	3210	± 25%	≈ 2300
T140/106/25	3E27	7680	± 25%	≈ 5500

Core data

Cores	Material	AI (nH/turns ²)	AI tolerance	μe
TX140/106/25	3C11	6000	± 25%	≈ 4300
TX140/106/25	3C94	3210	± 25%	≈ 2300
TX140/106/25	3E27	7680	± 25%	≈ 5500