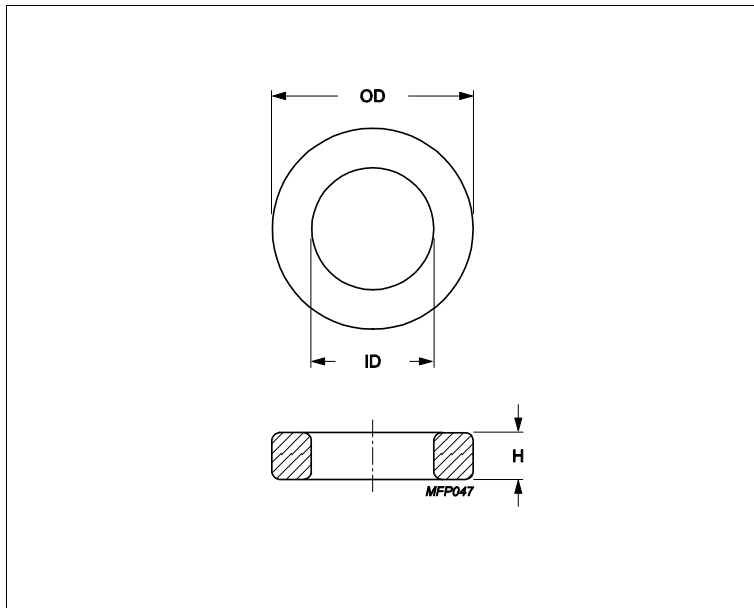


Core **Toroid 16/9.1/4.7**



Effective parameters			
	Parameter	Value	Unit
$\Sigma(I/A)$	core factor (C1)	2.53	mm ⁻¹
Ve	effective volume	548	mm ³
Le	effective length	37.2	mm
Ae	effective area	14.7	mm ²
m	mass of core	≈ 2.7	g/pcs

Epoxy coating DC isolation voltage 1500.

Maximum operating temperature of the coating is 200°C.

Dimensions (mm)

Cores	OD	ID	H	
TX16/9.1/4.7	16.63 max	8.42 min	5.25 max	Epoxy Coated

Core data

Cores	Material	AI (nH/turns ²)	AI tolerance	$\mu\epsilon$
TX16/9.1/4.7	3C94	1220	± 25%	≈ 2300
TX16/9.1/4.7	3E10	5320	± 20%	≈ 10000
TX16/9.1/4.7	3E12	6390	± 30%	≈ 12000
TX16/9.1/4.7	3E27	2930	± 25%	≈ 5500
TX16/9.1/4.7	3E6 (3E10-M)	5320	± 30%	≈ 10000
TX16/9.1/4.7	3E65	2770	± 25%	≈ 5200