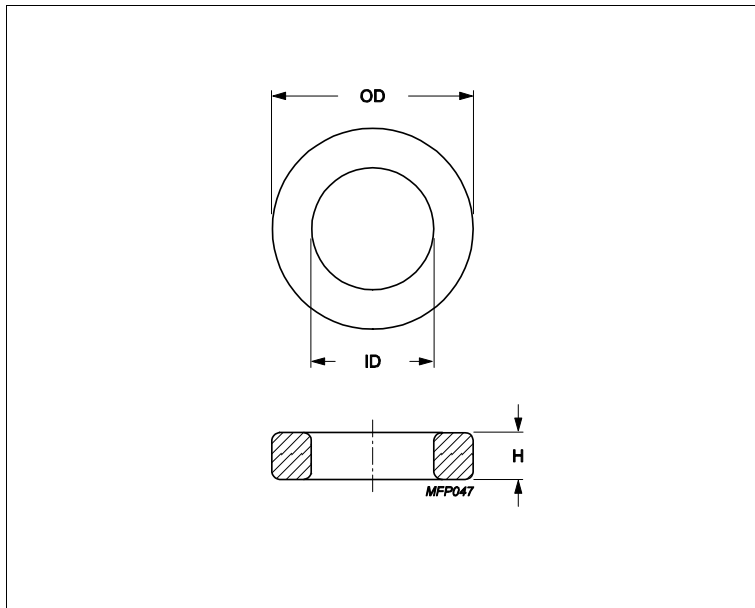


Core **Toroid 26/15/10**



Effective parameters			
	Parameter	Value	Unit
$\Sigma(I/A)$	core factor (C1)	1.08	mm ⁻¹
Ve	effective volume	3360	mm ³
Le	effective length	60.1	mm
Ae	effective area	55.9	mm ²
m	mass of core	≈ 17	g/pcs

Epoxy coating DC isolation voltage 2000.

Maximum operating temperature of the coating is 200°C.

Dimensions (mm)

Cores	OD	ID	H	
TX26/15/10	26.95 max	13.65 min	10.9 max	Epoxy Coated

Core data

Cores	Material	AI (nH/turns ²)	AI tolerance	μe
TX26/15/10	3C94	2530	± 25%	≈ 2300
TX26/15/10	3E10	11000	± 20%	≈ 10000
TX26/15/10	3E12	13200	± 30%	≈ 12000
TX26/15/10	3E26 (3E27-M7)	7710	± 25%	≈ 7000
TX26/15/10	3E27	6060	± 25%	≈ 5500
TX26/15/10	3E6 (3E10-M)	11000	± 30%	≈ 10000
TX26/15/10	3E65	5730	± 25%	≈ 5200