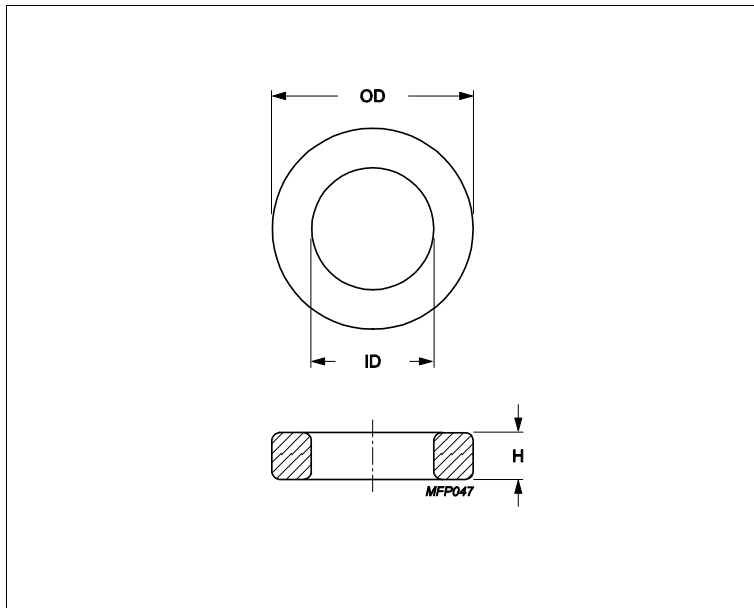


## Core **Toroid 26/15/20**



Effective parameters			
	Parameter	Value	Unit
$\Sigma(I/A)$	core factor (C1)	0.538	mm <sup>-1</sup>
<b>Ve</b>	effective volume	6720	mm <sup>3</sup>
<b>Le</b>	effective length	60.1	mm
<b>Ae</b>	effective area	112	mm <sup>2</sup>
<b>m</b>	mass of core	≈ 34	g/pcs

Epoxy coating DC isolation voltage 2000.

Maximum operating temperature of the coating is 200°C.

### Dimensions (mm)

Cores	OD	ID	H	
<b>TX26/15/20</b>	26.95 max	13.65 min	21 max	Epoxy Coated

### Core data

Cores	Material	AI (nH/turns <sup>2</sup> )	AI tolerance	$\mu\epsilon$
<b>TX26/15/20</b>	3C94	5070	± 25%	≈ 2300
<b>TX26/15/20</b>	3E10	22000	± 20%	≈ 10000
<b>TX26/15/20</b>	3E12	26400	± 30%	≈ 12000
<b>TX26/15/20</b>	3E27	12100	± 25%	≈ 5500
<b>TX26/15/20</b>	3E6 (3E10-M)	22000	± 30%	≈ 10000
<b>TX26/15/20</b>	3E65	11500	± 25%	≈ 5200