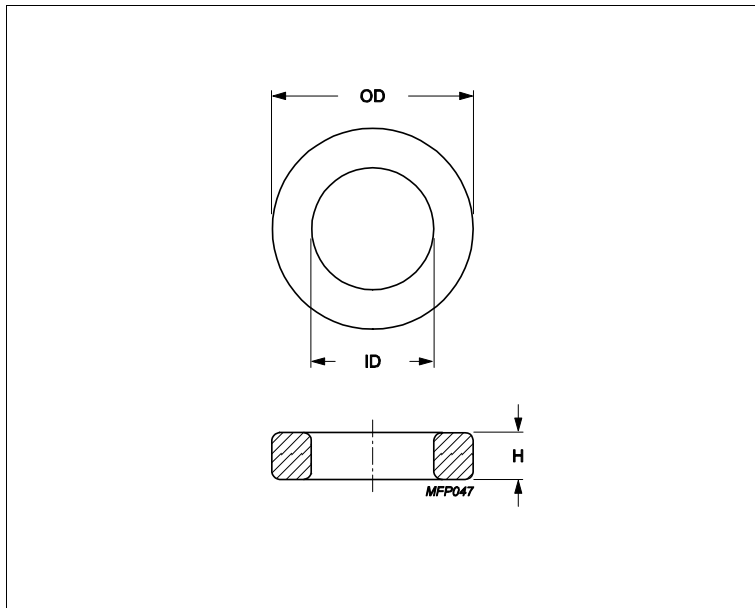


Core **Toroid 29/19/15**



Effective parameters			
	Parameter	Value	Unit
$\Sigma(I/A)$	core factor (C1)	0.98	mm ⁻¹
Ve	effective volume	5410	mm ³
Le	effective length	73.2	mm
Ae	effective area	73.9	mm ²
m	mass of core	≈ 28	g/pcs

Epoxy coating DC isolation voltage 2000.

Maximum operating temperature of the coating is 200°C.

Dimensions (mm)

Cores	OD	ID	H	
TX29/19/15	29.95 max	18.15 min	16.05 max	Epoxy Coated

Core data

Cores	Material	AI (nH/turns ²)	AI tolerance	$\mu\epsilon$
TX29/19/15	3C94	2920	± 25%	≈ 2300
TX29/19/15	3E10	12700	± 20%	≈ 10000
TX29/19/15	3E12	15200	± 30%	≈ 12000
TX29/19/15	3E26 (3E27-M7)	8880	± 25%	≈ 7000
TX29/19/15	3E27	6980	± 25%	≈ 5500
TX29/19/15	3E6 (3E10-M)	12700	± 30%	≈ 10000
TX29/19/15	3E65	6600	± 25%	≈ 5200