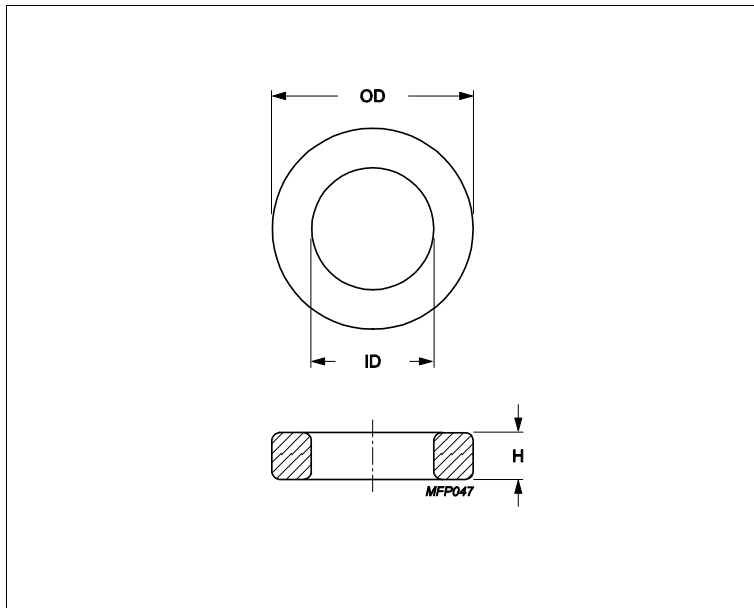


Core **Toroid 29/19/7.6**



Effective parameters			
	Parameter	Value	Unit
$\Sigma(I/A)$	core factor (C1)	2.06	mm ⁻¹
Ve	effective volume	2600	mm ³
Le	effective length	73.2	mm
Ae	effective area	35.5	mm ²
m	mass of core	≈ 13	g/pcs

Epoxy coating DC isolation voltage 2000.

Maximum operating temperature of the coating is 200°C.

Dimensions (mm)

Cores	OD	ID	H	
TX29/19/7.6	29.95 max	18.15 min	8.35 max	Epoxy Coated

Core data

Cores	Material	AI (nH/turns ²)	AI tolerance	$\mu\epsilon$
TX29/19/7.6	3C94	1480	± 25%	≈ 2300
TX29/19/7.6	3E10	6440	± 20%	≈ 10000
TX29/19/7.6	3E12	7730	± 30%	≈ 12000
TX29/19/7.6	3E27	3540	± 25%	≈ 5500
TX29/19/7.6	3E6 (3E10-M)	6440	± 30%	≈ 10000
TX29/19/7.6	3E65	3350	± 25%	≈ 5200