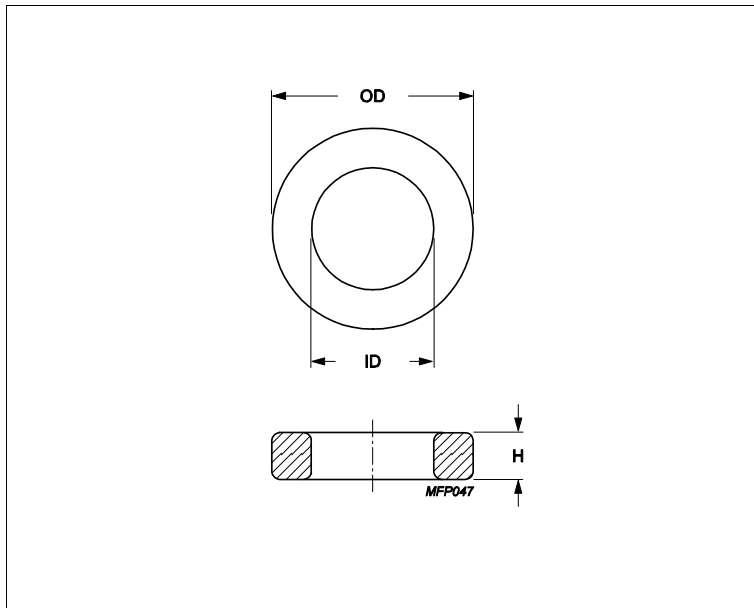


## Core **Toroid 3.4/1.8/1.3**



Effective parameters			
	Parameter	Value	Unit
$\Sigma(I/A)$	core factor (C1)	7.93	mm <sup>-1</sup>
<b>Ve</b>	effective volume	7.3	mm <sup>3</sup>
<b>Le</b>	effective length	7.62	mm
<b>Ae</b>	effective area	0.96	mm <sup>2</sup>
<b>m</b>	mass of core	≈ 0.035	g/pcs

Epoxy coating DC isolation voltage 1000.

Maximum operating temperature of the coating is 90°C.

### Dimensions (mm)

Cores	OD	ID	H	
<b>TC3.4/1.8/1.3</b>	3.61 max	1.6 min	1.45 max	Parylen Coated

### Core data

Cores	Material	Al (nH/turns <sup>2</sup> )	Al tolerance	$\mu\epsilon$
<b>TC3.4/1.8/1.3</b>	3E27	871	± 25%	≈ 5500
<b>TC3.4/1.8/1.3</b>	3E6 (3E10-M)	1580	± 30%	≈ 10000