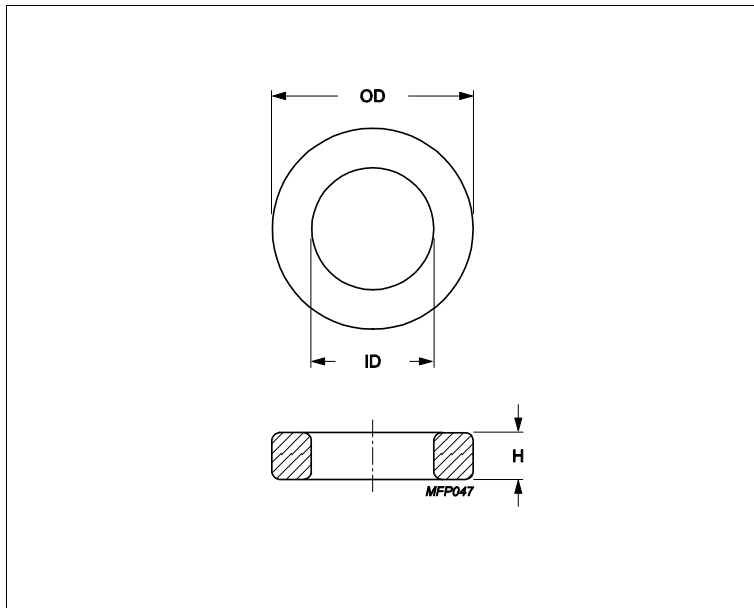


Core **Toroid 32/19/13**



Effective parameters			
	Parameter	Value	Unit
$\Sigma(I/A)$	core factor (C1)	0.99	mm ⁻¹
Ve	effective volume	5820	mm ³
Le	effective length	76	mm
Ae	effective area	76.5	mm ²
m	mass of core	≈ 29	g/pcs

Epoxy coating DC isolation voltage 2000.

Maximum operating temperature of the coating is 200°C.

Dimensions (mm)

Cores	OD	ID	H	
TX32/19/13	32.55 max	18.05 min	13.4 max	Epoxy Coated

Core data

Cores	Material	AI (nH/turns ²)	AI tolerance	$\mu\epsilon$
TX32/19/13	3C94	2920	± 25%	≈ 2300
TX32/19/13	3E10	12700	± 20%	≈ 10000
TX32/19/13	3E12	15200	± 30%	≈ 12000
TX32/19/13	3E27	6980	± 25%	≈ 5500
TX32/19/13	3E6 (3E10-M)	12700	± 30%	≈ 10000
TX32/19/13	3E65	6600	± 25%	≈ 5200