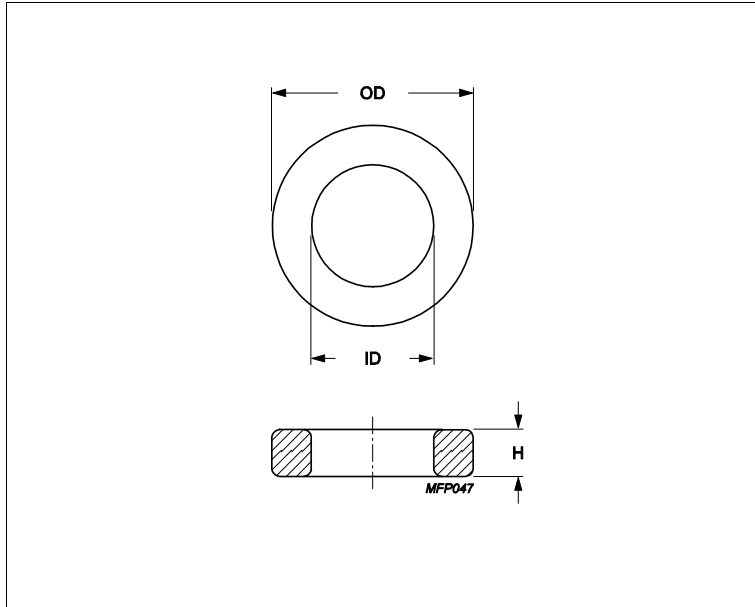


Core **Toroid 40/24/16**



Effective parameters			
	Parameter	Value	Unit
$\Sigma(I/A)$	core factor (C1)	0.769	mm ⁻¹
Ve	effective volume	12100	mm ³
Le	effective length	96.3	mm
Ae	effective area	125	mm ²
m	mass of core	≈ 62	g/pcs

Epoxy coating DC isolation voltage 2000.

Maximum operating temperature of the coating is 200°C.

Dimensions (mm)

Cores	OD	ID	H	
TX40/24/16	41.65 max	22.85 min	17.1 max	Epoxy Coated

Core data

Cores	Material	AI (nH/turns ²)	AI tolerance	$\mu\epsilon$
TX40/24/16	3C94	3750	± 25%	≈ 2300
TX40/24/16	3E10	16300	± 20%	≈ 10000
TX40/24/16	3E12	19600	± 30%	≈ 12000
TX40/24/16	3E27	8970	± 25%	≈ 5500
TX40/24/16	3E6 (3E10-M)	16300	± 30%	≈ 10000
TX40/24/16	3E65	8480	± 25%	≈ 5200