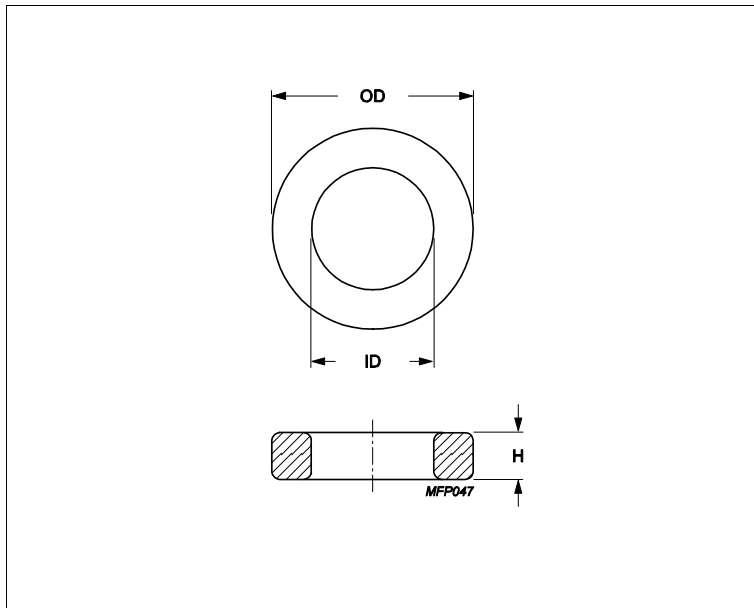


## Core **Toroid 42/26/13**



Effective parameters			
	Parameter	Value	Unit
$\Sigma(I/A)$	core factor (C1)	1.076	mm <sup>-1</sup>
<b>Ve</b>	effective volume	9860	mm <sup>3</sup>
<b>Le</b>	effective length	103	mm
<b>Ae</b>	effective area	95.8	mm <sup>2</sup>
<b>m</b>	mass of core	≈ 53	g/pcs

Epoxy coating DC isolation voltage 2000.

Maximum operating temperature of the coating is 200°C.

### Dimensions (mm)

Cores	OD	ID	H	
<b>TX42/26/13</b>	43.15 max	25.15 min	13.5 max	Epoxy Coated

### Core data

Cores	Material	AI (nH/turns <sup>2</sup> )	AI tolerance	$\mu\epsilon$
<b>TX42/26/13</b>	3C94	2800	± 25%	≈ 2300
<b>TX42/26/13</b>	3E10	12200	± 20%	≈ 10000
<b>TX42/26/13</b>	3E12	14600	± 30%	≈ 12000
<b>TX42/26/13</b>	3E27	6710	± 25%	≈ 5500
<b>TX42/26/13</b>	3E6 (3E10-M)	12200	± 30%	≈ 10000
<b>TX42/26/13</b>	3E65	6340	± 25%	≈ 5200