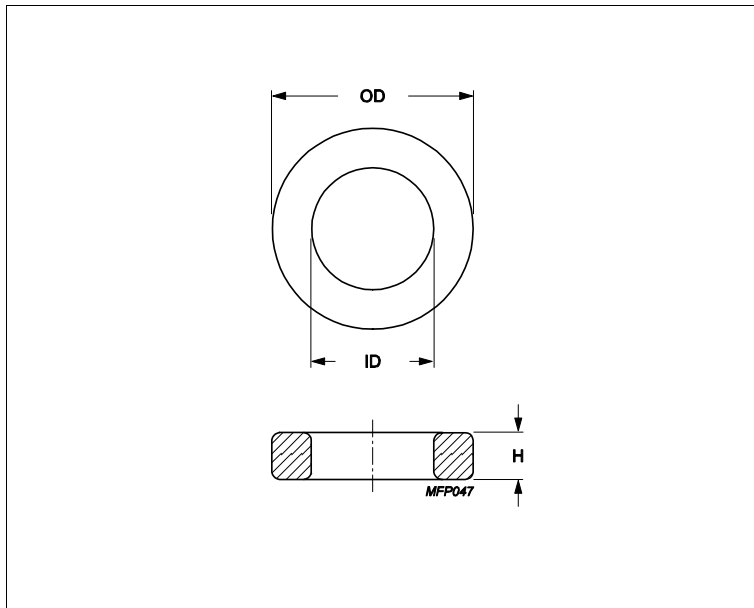


Core **Toroid 42/26/18**



Effective parameters			
	Parameter	Value	Unit
$\Sigma(I/A)$	core factor (C1)	0.769	mm ⁻¹
Ve	effective volume	13810	mm ³
Le	effective length	103	mm
Ae	effective area	134	mm ²
m	mass of core	≈ 55	g/pcs

Epoxy coating DC isolation voltage 2000.

Maximum operating temperature of the coating is 200°C.

Dimensions (mm)

Cores	OD	ID	H	
TX42/26/18	43.15 max	25.15 min	18.7 max	Epoxy Coated

Core data

Cores	Material	AI (nH/turns ²)	AI tolerance	$\mu\epsilon$
TX42/26/18	3C94	3900	± 25%	≈ 2300
TX42/26/18	3E10	17000	± 20%	≈ 10000
TX42/26/18	3E12	20400	± 30%	≈ 12000
TX42/26/18	3E26 (3E27-M7)	11900	± 25%	≈ 7000
TX42/26/18	3E27	9340	± 25%	≈ 5500
TX42/26/18	3E6 (3E10-M)	17000	± 30%	≈ 10000
TX42/26/18	3E65	8830	± 25%	≈ 5200