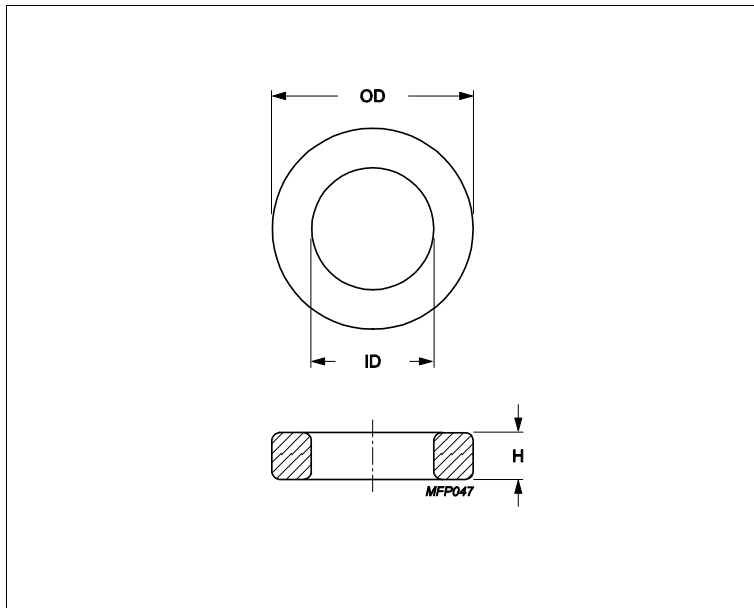


## Core **Toroid 6.3/3.8/2.5**



Effective parameters			
	Parameter	Value	Unit
$\Sigma(I/A)$	core factor (C1)	4.97	mm <sup>-1</sup>
<b>Ve</b>	effective volume	46.5	mm <sup>3</sup>
<b>Le</b>	effective length	15.2	mm
<b>Ae</b>	effective area	3.06	mm <sup>2</sup>
<b>m</b>	mass of core	≈ 0.23	g/pcs

Epoxy coating DC isolation voltage 1000.

Maximum operating temperature of the coating is 90°C.

### Dimensions (mm)

Cores	OD	ID	H	
<b>TC6.3/3.8/2.5</b>	6.45 max	3.65 min	2.65 max	Parylen Coated

### Core data

Cores	Material	AI (nH/turns <sup>2</sup> )	AI tolerance	$\mu\epsilon$
<b>TC6.3/3.8/2.5</b>	3E27	1390	± 25%	≈ 5500
<b>TC6.3/3.8/2.5</b>	3E6 (3E10-M)	2530	± 30%	≈ 10000