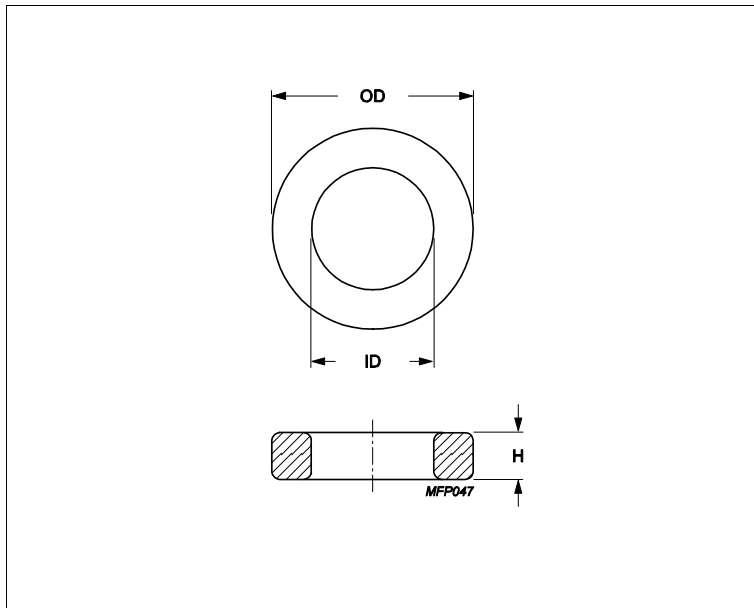


## Core **Toroid 74/39/13**



Effective parameters			
	Parameter	Value	Unit
$\Sigma(I/A)$	core factor (C1)	0.8	mm <sup>-1</sup>
<b>Ve</b>	effective volume	34300	mm <sup>3</sup>
<b>Le</b>	effective length	165	mm
<b>Ae</b>	effective area	208	mm <sup>2</sup>
<b>m</b>	mass of core	≈ 170	g/pcs

Epoxy coating DC isolation voltage 2000.

Maximum operating temperature of the coating is 200°C.

### Dimensions (mm)

Cores	OD	ID	H	
<b>T74/39/13</b>	73.66 ± 1.52	38.86 ± 0.76	12.7 ± 0.51	Uncoated
<b>TX74/39/13</b>	75.43 max	37.29 min	13.55 max	Epoxy Coated

### Core data

Cores	Material	AI (nH/turns <sup>2</sup> )	AI tolerance	μe
<b>T74/39/13</b>	3C11	7010	± 25%	≈ 4300
<b>T74/39/13</b>	3C94	3750	± 25%	≈ 2300
<b>T74/39/13</b>	3E10	15500	± 20%	≈ 9500
<b>T74/39/13</b>	3E27	8970	± 25%	≈ 5500
<b>T74/39/13</b>	3E6 (3E10-M)	15500	± 30%	≈ 9500

### Core data

Cores	Material	AI (nH/turns <sup>2</sup> )	AI tolerance	μe
<b>TX74/39/13</b>	3C11	7010	± 25%	≈ 4300
<b>TX74/39/13</b>	3C94	3750	± 25%	≈ 2300
<b>TX74/39/13</b>	3E10	15500	± 20%	≈ 9500
<b>TX74/39/13</b>	3E27	8970	± 25%	≈ 5500
<b>TX74/39/13</b>	3E6 (3E10-M)	15500	± 30%	≈ 9500