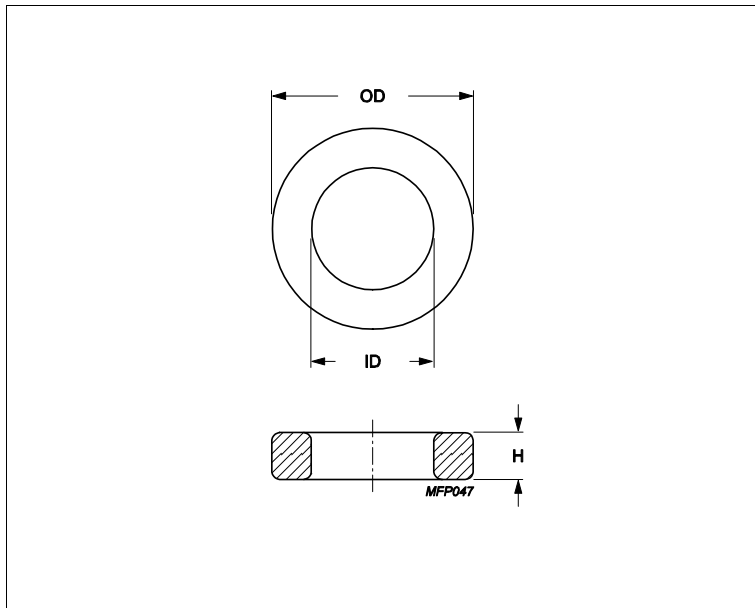


Core **Toroid 80/40/15**



| Effective parameters | | | |
|----------------------|------------------|-------|------------------|
| | Parameter | Value | Unit |
| $\Sigma(I/A)$ | core factor (C1) | 0.604 | mm ⁻¹ |
| Ve | effective volume | 50200 | mm ³ |
| Le | effective length | 174 | mm |
| Ae | effective area | 288 | mm ² |
| m | mass of core | ≈ 240 | g/pcs |

Epoxy coating DC isolation voltage 2000.

Maximum operating temperature of the coating is 200°C.

Dimensions (mm)

| Cores | OD | ID | H | |
|-------------------|----------|----------|----------|--------------|
| T80/40/15 | 80 ± 2.5 | 40 ± 1.2 | 15 ± 0.5 | Uncoated |
| TX80/40/15 | 83 max | 38.4 min | 15.9 max | Epoxy Coated |

Core data

| Cores | Material | AI (nH/turns ²) | AI tolerance | μe |
|------------------|--------------|-----------------------------|--------------|--------|
| T80/40/15 | 3C11 | 9150 | ± 25% | ≈ 4300 |
| T80/40/15 | 3C94 | 4900 | ± 25% | ≈ 2300 |
| T80/40/15 | 3E10 | 20200 | ± 20% | ≈ 9500 |
| T80/40/15 | 3E27 | 11700 | ± 25% | ≈ 5500 |
| T80/40/15 | 3E6 (3E10-M) | 20200 | ± 30% | ≈ 9500 |

Core data

| Cores | Material | AI (nH/turns ²) | AI tolerance | μe |
|-------------------|--------------|-----------------------------|--------------|--------|
| TX80/40/15 | 3C11 | 9150 | ± 25% | ≈ 4300 |
| TX80/40/15 | 3C94 | 4900 | ± 25% | ≈ 2300 |
| TX80/40/15 | 3E10 | 20200 | ± 20% | ≈ 9500 |
| TX80/40/15 | 3E27 | 11700 | ± 25% | ≈ 5500 |
| TX80/40/15 | 3E6 (3E10-M) | 20200 | ± 30% | ≈ 9500 |