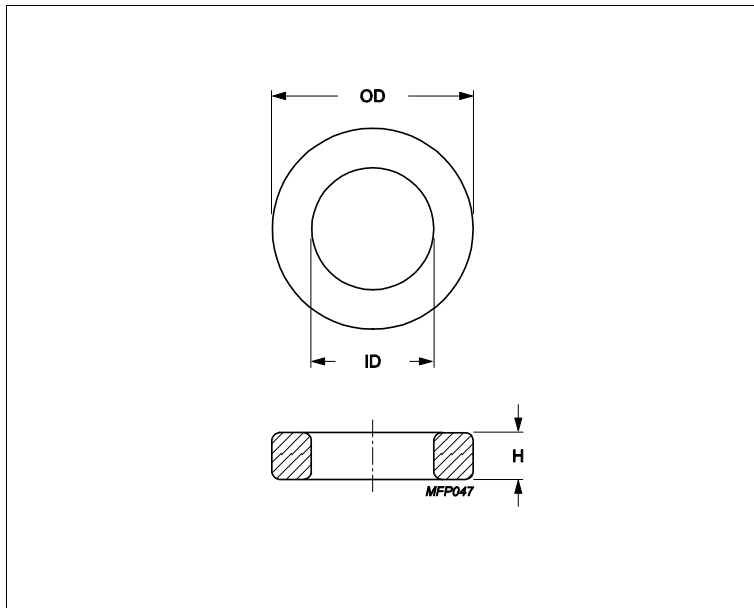


Core **Toroid 87/54/14**



| Effective parameters | | | |
|----------------------|------------------|-------|------------------|
| | Parameter | Value | Unit |
| $\Sigma(I/A)$ | core factor (C1) | 0.987 | mm ⁻¹ |
| Ve | effective volume | 46400 | mm ³ |
| Le | effective length | 214 | mm |
| Ae | effective area | 217 | mm ² |
| m | mass of core | ≈ 220 | g/pcs |

Epoxy coating DC isolation voltage 2000.

Maximum operating temperature of the coating is 200°C.

Dimensions (mm)

| Cores | OD | ID | H | |
|-------------------|-----------|------------|-------------|--------------|
| T87/54/14 | 87 ± 1.25 | 54.3 ± 0.9 | 13.5 ± 0.25 | Uncoated |
| TX87/54/14 | 88.75 max | 53 min | 14.25 max | Epoxy Coated |

Core data

| Cores | Material | AI (nH/turns ²) | AI tolerance | μe |
|------------------|----------|-----------------------------|--------------|--------|
| T87/54/14 | 3C11 | 5470 | ± 25% | ≈ 4300 |
| T87/54/14 | 3C94 | 2930 | ± 25% | ≈ 2300 |
| T87/54/14 | 3E27 | 7000 | ± 25% | ≈ 5500 |

Core data

| Cores | Material | AI (nH/turns ²) | AI tolerance | μe |
|-------------------|----------|-----------------------------|--------------|--------|
| TX87/54/14 | 3C11 | 5470 | ± 25% | ≈ 4300 |
| TX87/54/14 | 3C94 | 2930 | ± 25% | ≈ 2300 |
| TX87/54/14 | 3E27 | 7000 | ± 25% | ≈ 5500 |