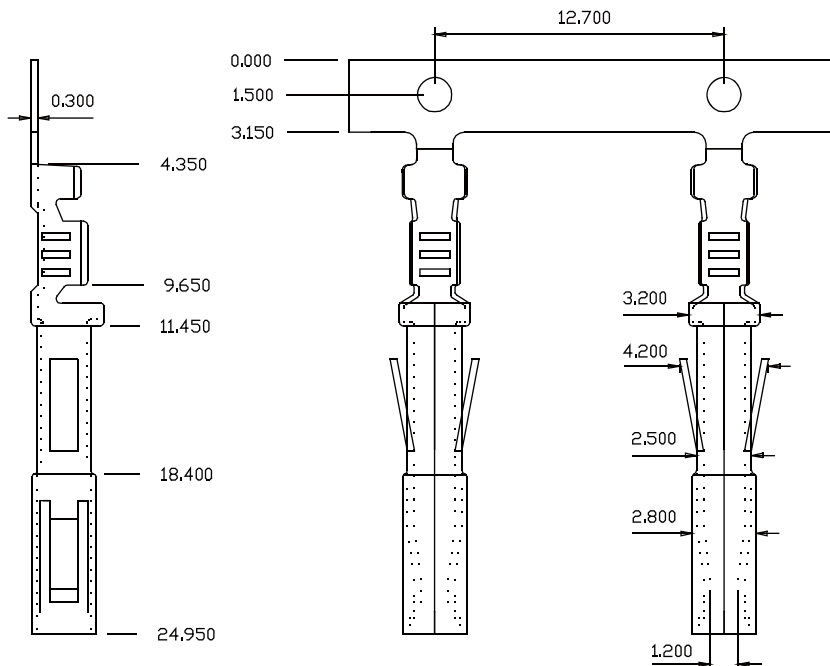




V.35 Female Terminal



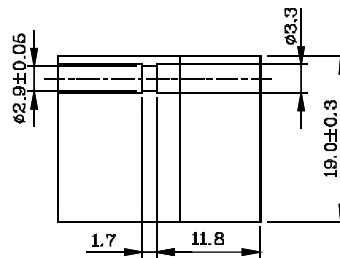
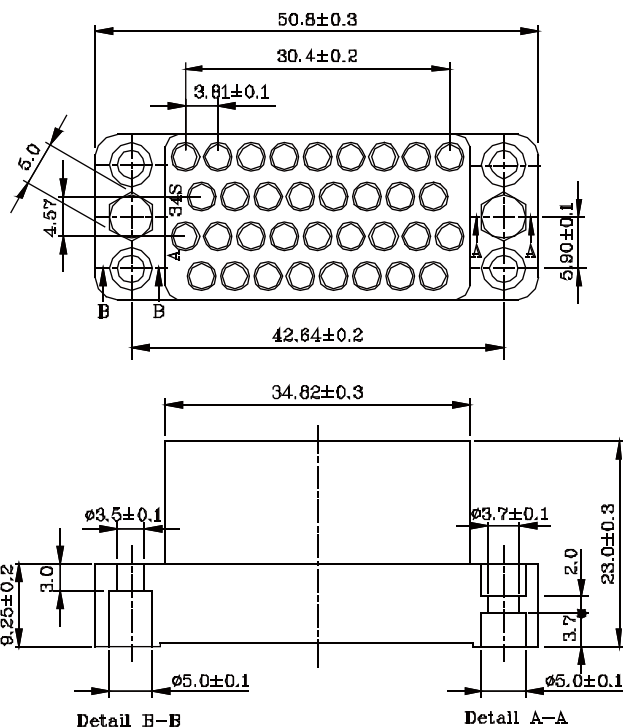
Part No.	Wire Range	Material	Finish	Qty/Reel
V35C-FT-L	AWG#22-#28	Phosphor Bronze	Gold Flash	2500pcs

Part No.:V35C-FT-L

V.35 Female Housing

Specifications
 Current Rate:7 AMP
 Insulation Resistance:1000MΩ Min.
 Dielectric Voltage:1200V AC for one minute
 Contact Resistance:200V AC for one minute
 Operation Temperature:-55°C to +105°C

Material
 Insulator:Polyester,UL 94V-0,Black
 ◎Standard:PBT



Part No.:V35C-F34B-L

V.35 Conn. Series



ROHS