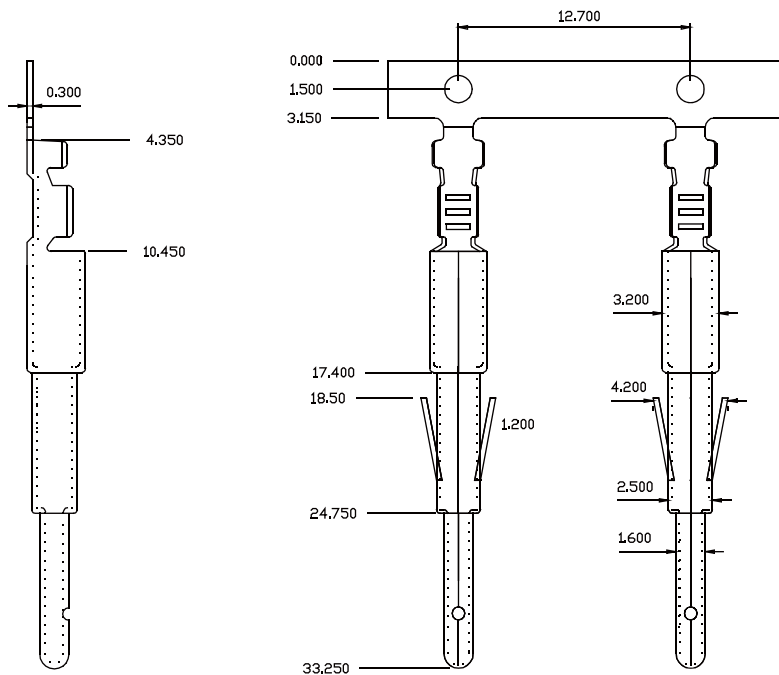


V.35 Male Terminal



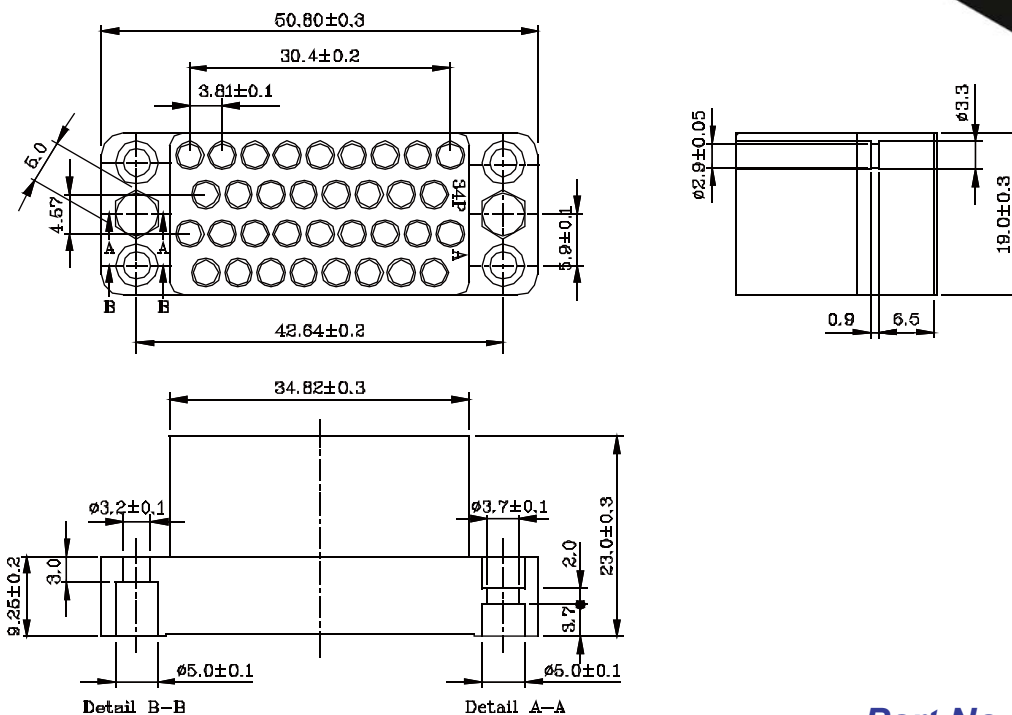
| Part No. | Wire Range | Material | Finish | Qty/Reel |
|-----------|------------|-----------------|------------|----------|
| V35C-MT-L | AWG#22-#28 | Phosphor Bronze | Gold Flash | 2500pcs |

Part No.:V35C-MT-L

V.35 Male Housing

Specifications
 Current Rate:7 AMP
 Insulation Resistance:1000MΩ Min.
 Dielectric Voltage:1200V AC for one minute
 Contact Resistance:200V AC for one minute
 Operation Temperature:-55°C to +105°C

Material
 Insulator:Polyester,UL 94V-0,Black
 ©Standard:PBT



Part No.:V35C-M34B-L