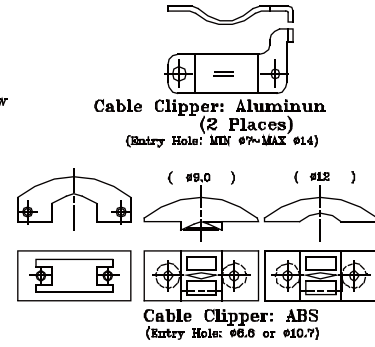
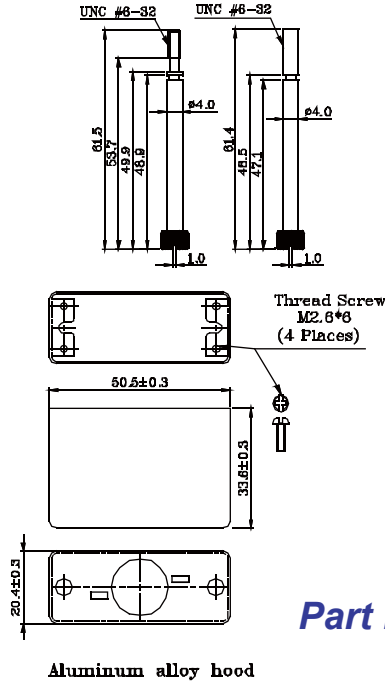
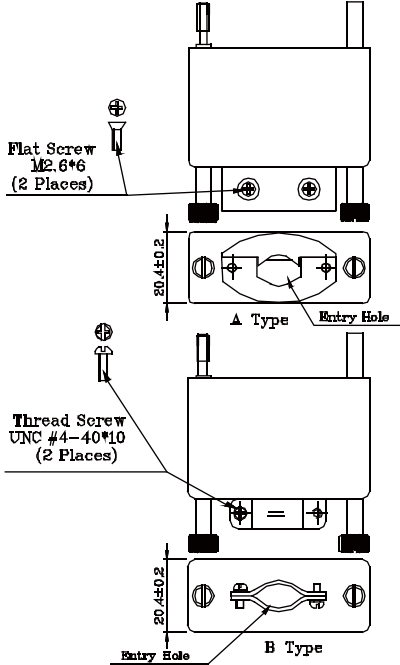


## V.35 Cable Conn. For V35C Housing

### Material

- Insulator: Polyester, UL 94V-0, Black
- Cable Clipper: ABS (Black), one aluminte
- Round Screws: Steel, Nickel Plated
- Flat Screws: Steel, Nickel Plated
- Jack Screws: Steel, Nickel Plated over Copper
- Back shell: Plumbum Alloy Nickel Plated over Copper



Part No.: HOODV35-34   -L

A:  $\phi 9$   
 B:  $\phi 12$   
 C:  $\phi 7$ ~ $\phi 14$  A: A Type  
 B: B Type

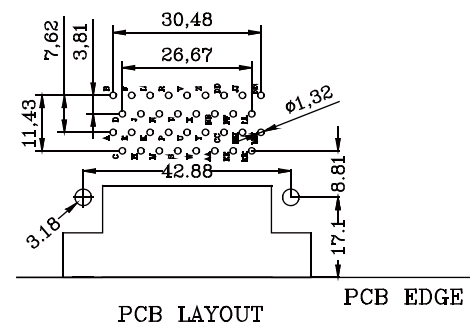
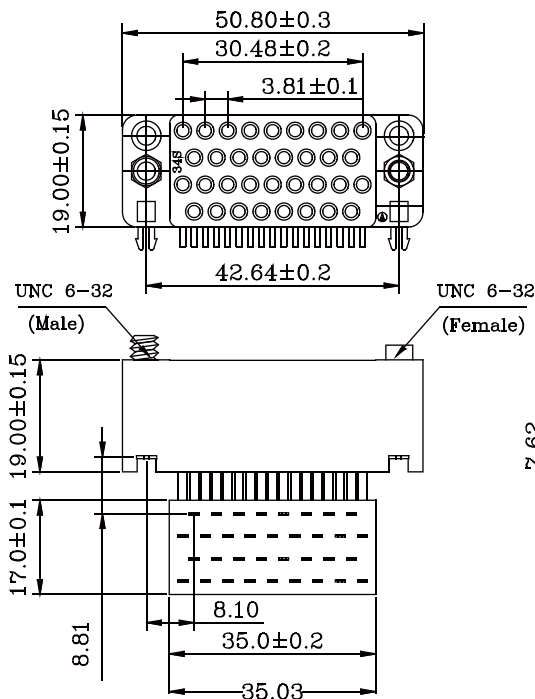
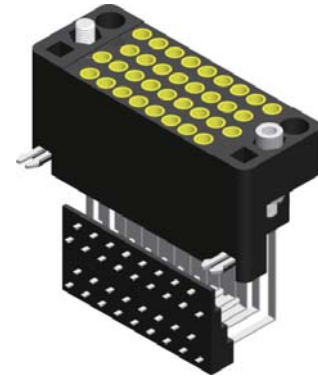
## V.35 Female Right Angle Type

### Specifications

- Current Rate: 7 AMP
- Insulation Resistance: 1000M $\Omega$  Min.
- Dielectric Voltage: 1200V AC for one minute
- Contact Resistance: 200V AC for one minute
- Operation Temperature: -55°C to +105°C

### Material

- Insulator: Polyester, UL 94V-0, Black
- Standard: PBT
- Terminal: Copper Alloy
- Jack screws: Steel, Nickel Plated
- Boardlock: Brass Tin Plated over Copper



Part No.: V35R-F34SB-L