

# WIZ550S2E Datasheet

## Overview

This page provides information about the hardware description of WIZ550S2E base on RS232 & RS422/485 Interface board as following:

- Basic Hardware Specification
- Operating Characteristics
- Reference Schematics
- Dimension information

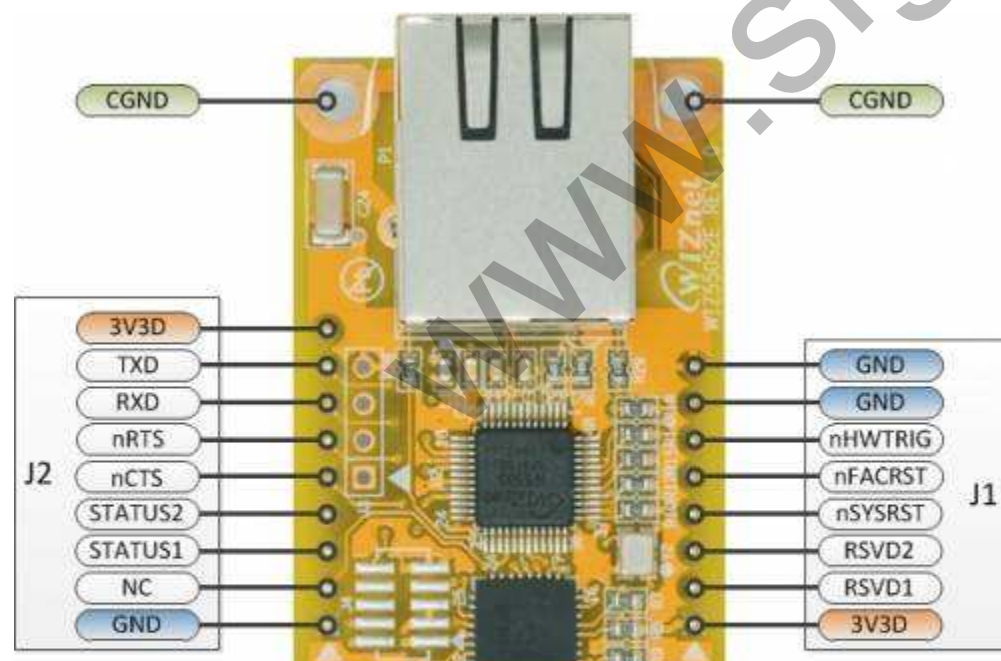
The revision history will be updated in this page in case of any changes of hardware specification or exterior design.

2014/07/29 08:57 · jameskim

## Hardware Specification

### WIZ550S2E

- MCU LPC11E36FHN33
- TCP/IP Controller W5500
- RJ45(Integrated Transformer)
- 2.54mm Header x2



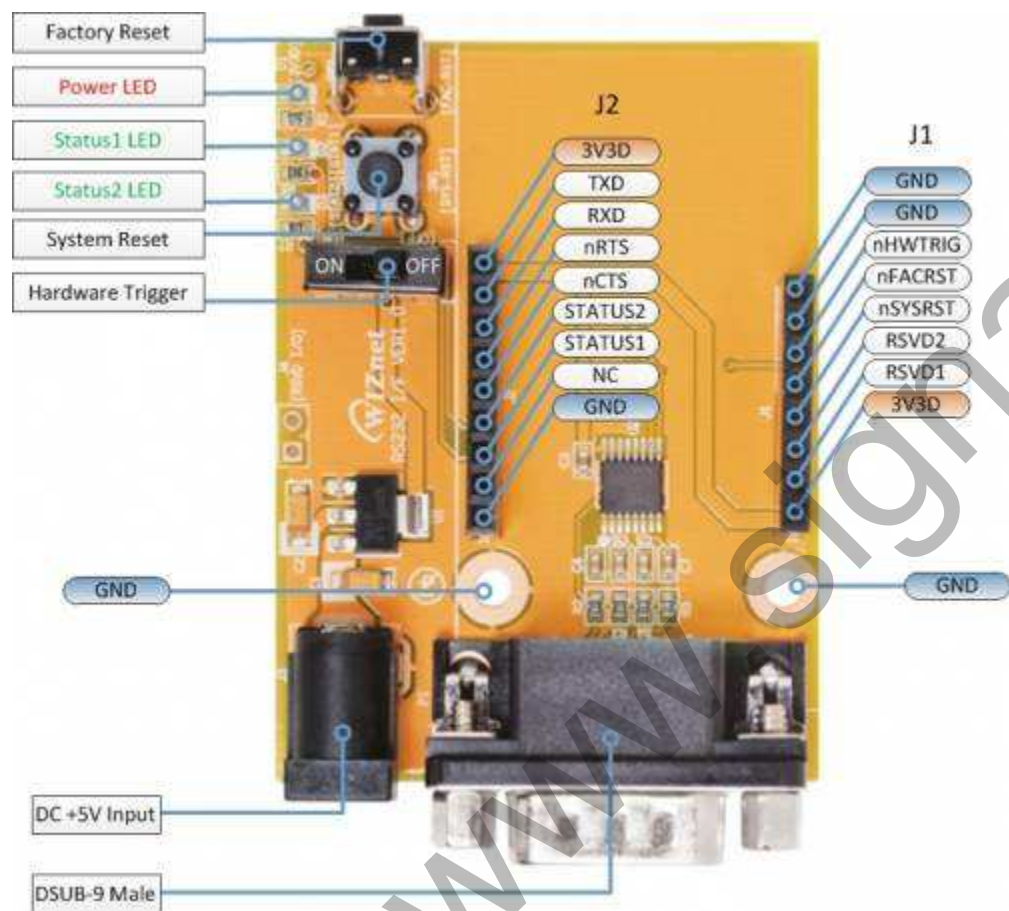


### Pin Description

Ref No.	Pin No.	Symbol	Type	Description
<b>J1</b>	<b>1</b>	<b>3V3D</b>	<b>P</b>	Supply DC+3.3V
	<b>2</b>	<b>RSVD1</b>	<b>I/O</b>	Reserved I/O
	<b>3</b>	<b>RSVD2</b>	<b>I/O</b>	Reserved I/O
	<b>4</b>	<b>nSYSRST</b>	<b>I</b>	System reset input. Active Low.
	<b>5</b>	<b>nFACRST</b>	<b>I</b>	Factory reset. Active Low > 5sec. Changing the settings of the module to the default value
	<b>6</b>	<b>nHWTRIG</b>	<b>I</b>	Hardware Trigger input Active Low.
	<b>7</b>	<b>GND</b>	<b>P</b>	Power Ground
	<b>8</b>	<b>GND</b>	<b>P</b>	Power Ground
Ref No.	Pin No.	Symbol	Type	Description
<b>J2</b>	<b>1</b>	<b>GND</b>	<b>P</b>	Power Ground
	<b>2</b>	<b>NC</b>	<b>-</b>	No connection
	<b>3</b>	<b>STATUS1</b>	<b>O</b>	Output for LED Display
	<b>4</b>	<b>STATUS2</b>	<b>O</b>	Output for LED Display
	<b>5</b>	<b>nCTS</b>	<b>I</b>	Clear To Send input for UART
	<b>6</b>	<b>nRTS</b>	<b>O</b>	Request To Send output for UART. This pin also serves as the RS485 control.
	<b>7</b>	<b>RXD</b>	<b>I</b>	Receiver input for UART
	<b>8</b>	<b>TXD</b>	<b>O</b>	Transmitter output for UART
	<b>9</b>	<b>3V3D</b>	<b>P</b>	Supply DC+3.3V

## WIZ550S2E-232 Interface board

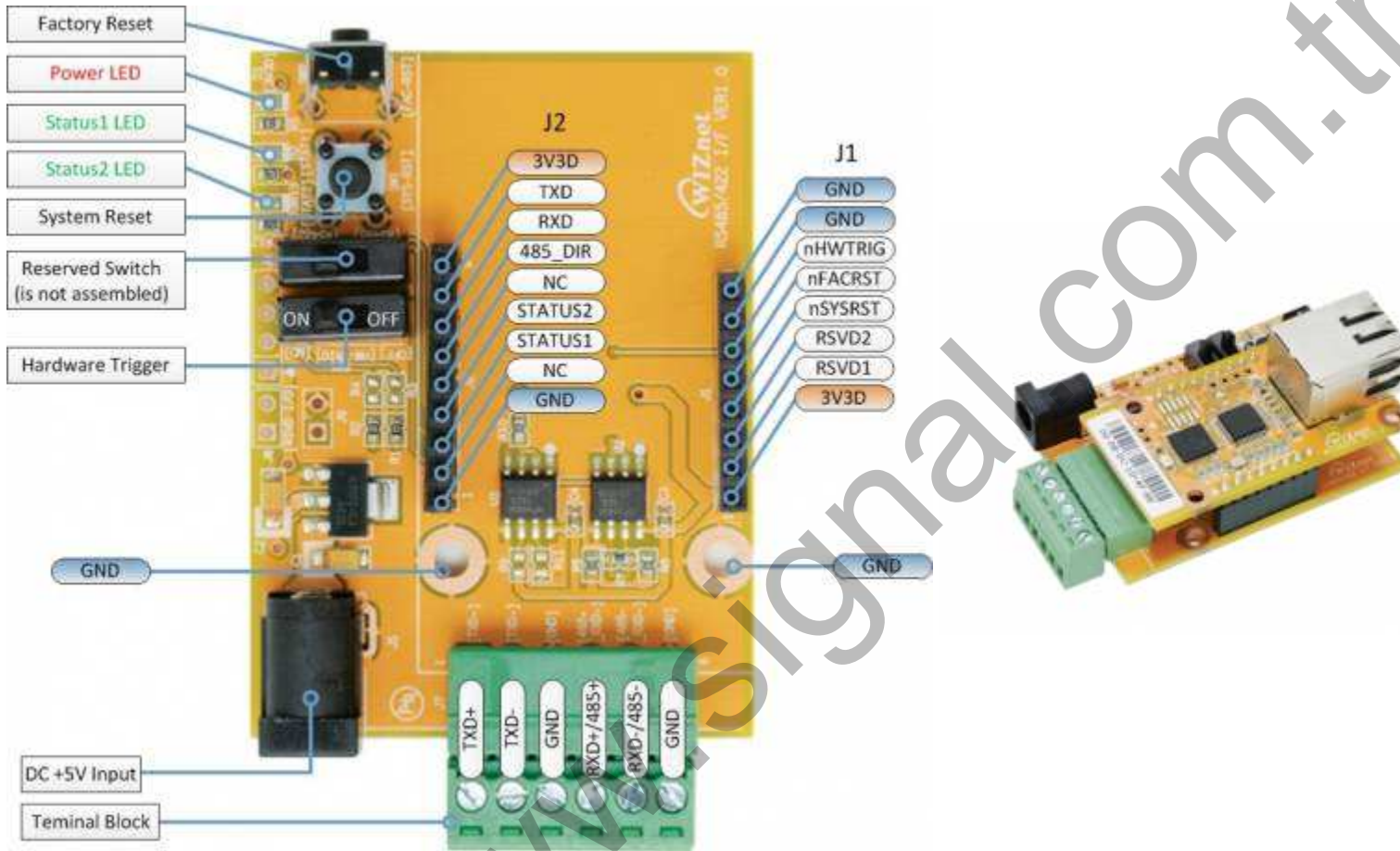
- Line Driver SP3232EBEY
- System Reset Switch
- Factory Reset Switch
- Hardware-Trigger Mode Switch
- Status LEDs
- DC-Jack (for +5V Input Power)



## WIZ550S2E-485/422 Interface board

- Line Driver SP3485EN
- System Reset Switch
- Factory Reset Switch
- Hardware-Trigger Mode Switch

- System Reset Switch
- Factory Reset Switch
- Hardware-Trigger Mode Switch
- Status LEDs
- DC-Jack (for +5V Input Power)



2014/07/29 09:01 · jameskim

## Characteristic

### WIZ550S2E

<b>Input Power</b>	DC +3.3V
<b>Current Consumption</b>	140mA(Typ.)
<b>Operating Temperature</b>	-40 ~ 85 °C

<b>Current Consumption</b>	140mA(1yp.)
<b>Operating Temperature</b>	-40 ~ 85 °C

**WIZ550S2E-232-EVB**

<b>Input Power</b>	DC +5V (Plug type: Outdiameter 5.5Pi - Caliber 2.1Pi)
<b>Current Consumption(connected with WIZ550S2E)</b>	154mA(Max.)
<b>Operating Temperature</b>	-40 ~ 85 °C

**WIZ550S2E-485/422-EVB**

<b>Input Power</b>	DC +5V (Plug type: Outdiameter 5.5Pi - Caliber 2.1Pi)
<b>Current Consumption(connected with WIZ550S2E)</b>	179mA(Max.)@RS422Mode, 157mA(Max.)@RS485Mode
<b>Operating Temperature</b>	-40 ~ 85 °C

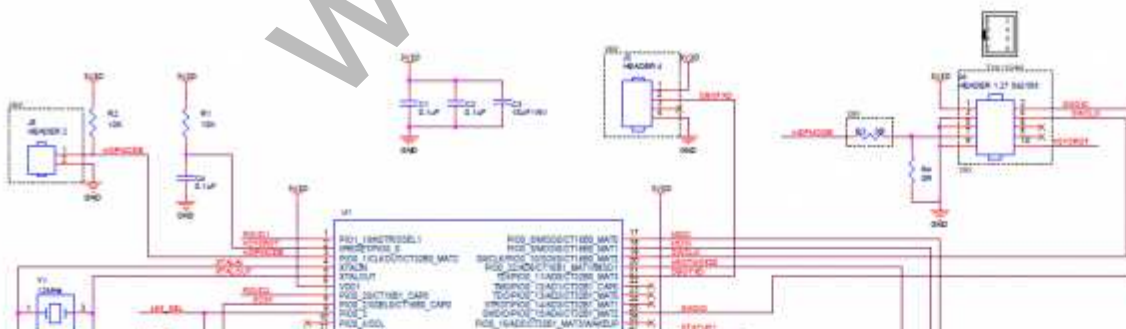
2014/07/29 16:39 · sam

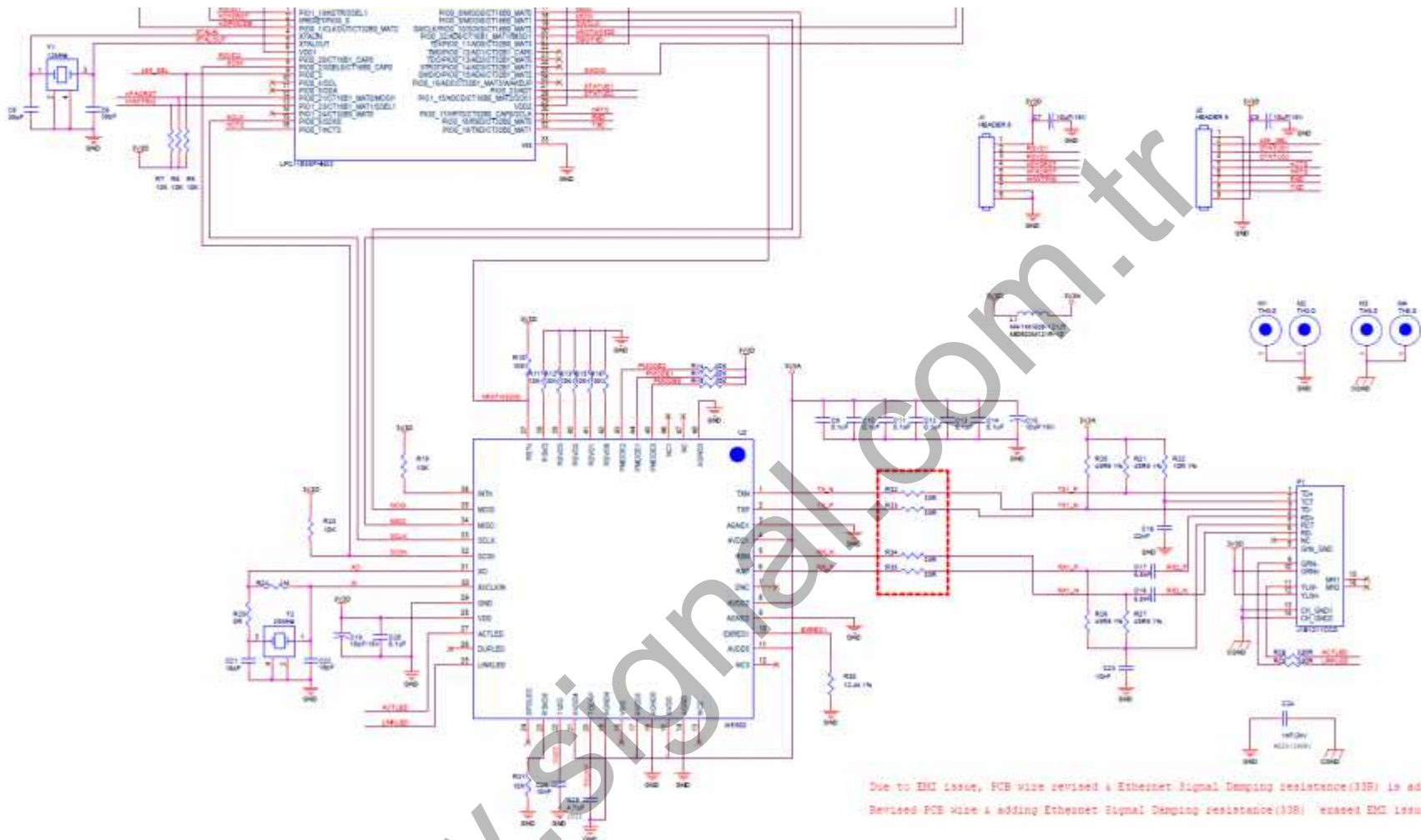
**Schematic**

Item	Version	Schematic(PDF)	Schematic(CAD)
WIZ550S2E	1.1	<a href="#">Schematic_PDF</a>	<a href="#">Schematic_ORCAD</a>
WIZ550S2E-232 interface board	1.0	<a href="#">rs232if_v1_0.pdf</a>	<a href="#">rs232if_v1_0.zip</a>
WIZ550S2E-485/422 interface board	1.0	<a href="#">rs485-422if_v1_0.pdf</a>	<a href="#">rs485-422if_v1_0.zip</a>

Item	Version	Partlist	Gerber(Unit)
WIZ550S2E	1.1	<a href="#">Partlist_PDF</a>	<a href="#">Gerber</a>

- Rev 1.1 Update Schematic



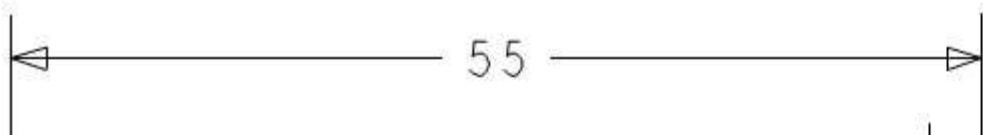


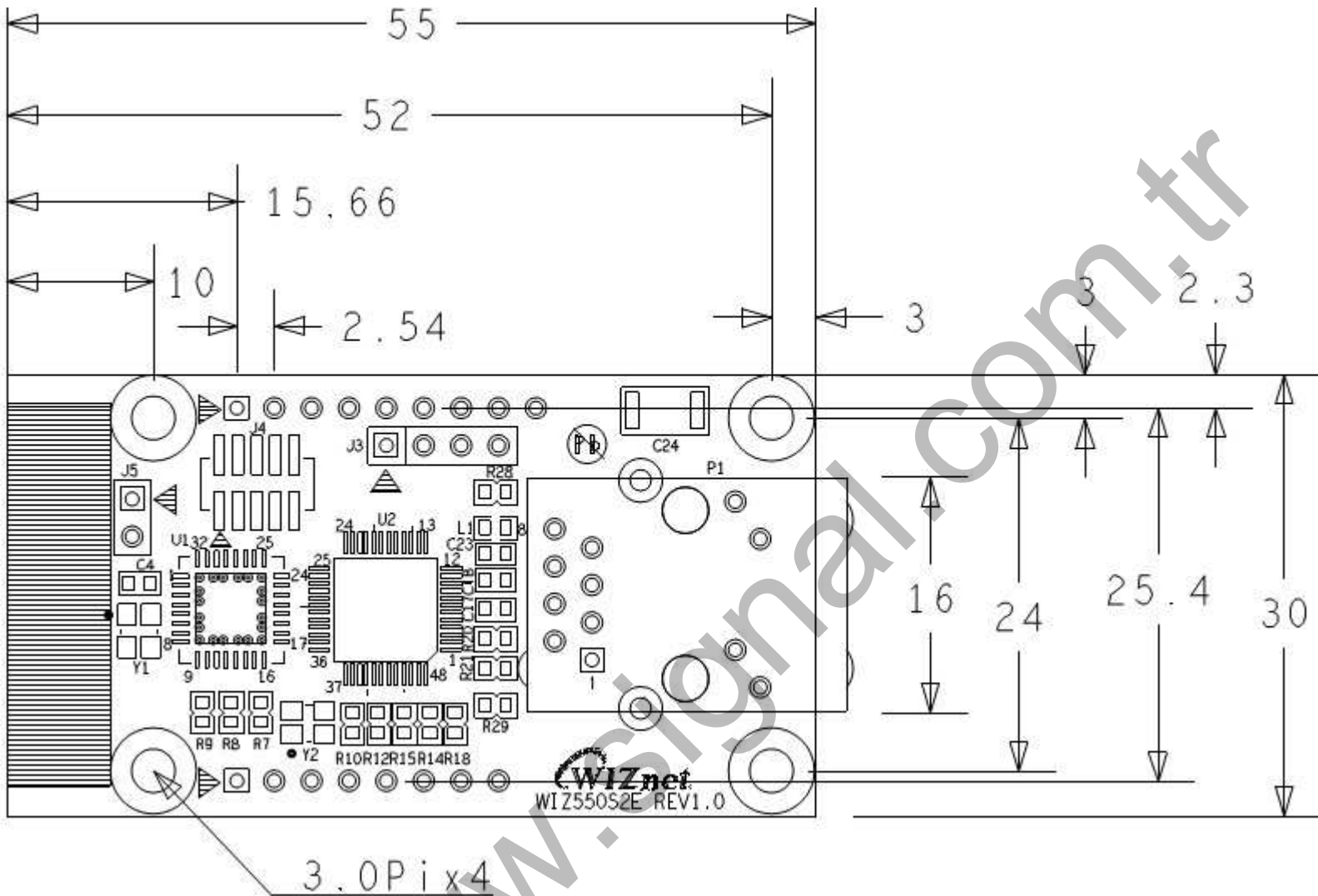
2014/07/29 09:03 · jameskim

### Dimension

(Unit: mm)

WIZ550S2E





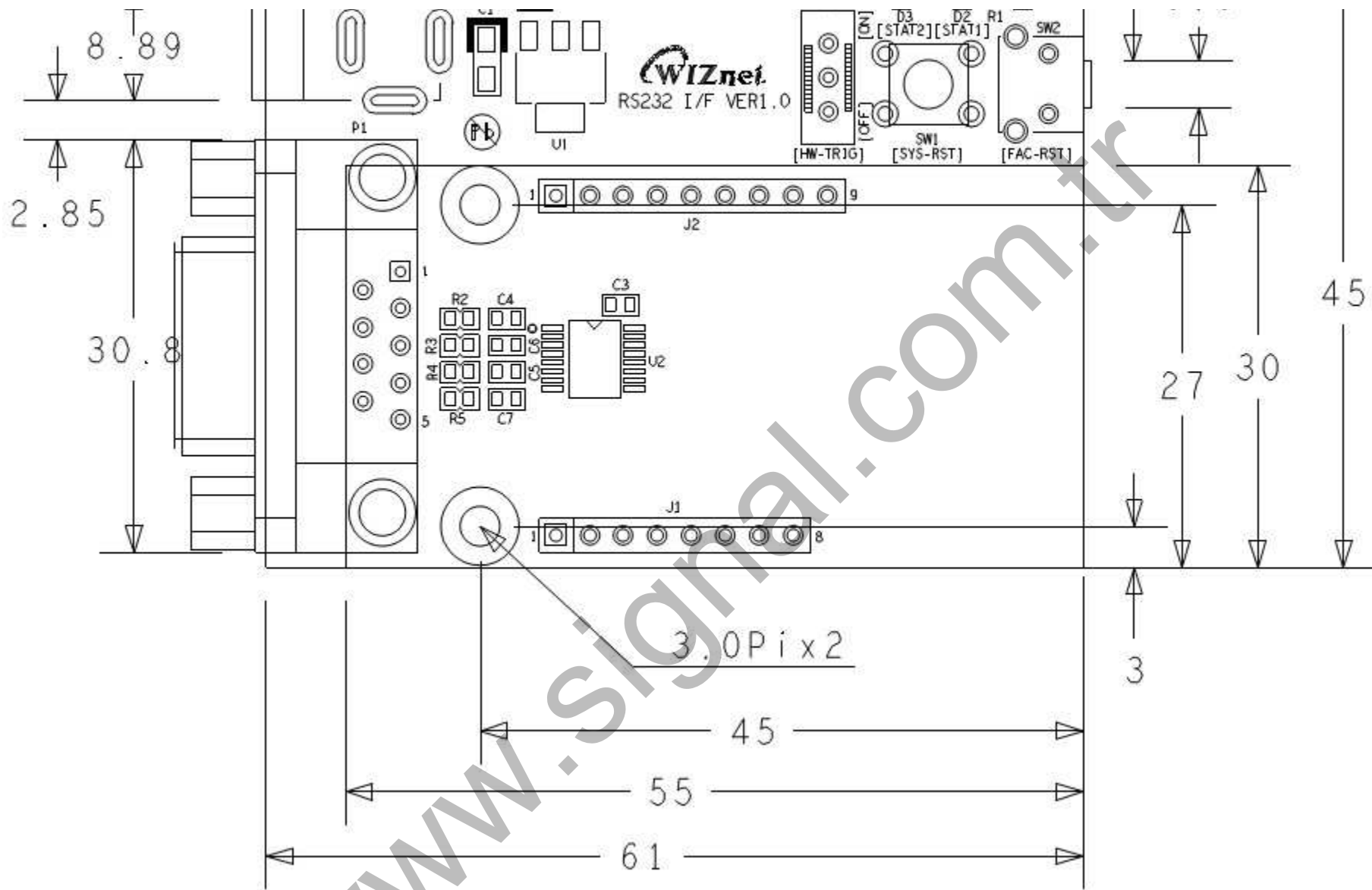
WIZ550S2E-232 Interface board

1.35

7.25

8.89

3.5



WIZ550S2E-485/422 Interface board

