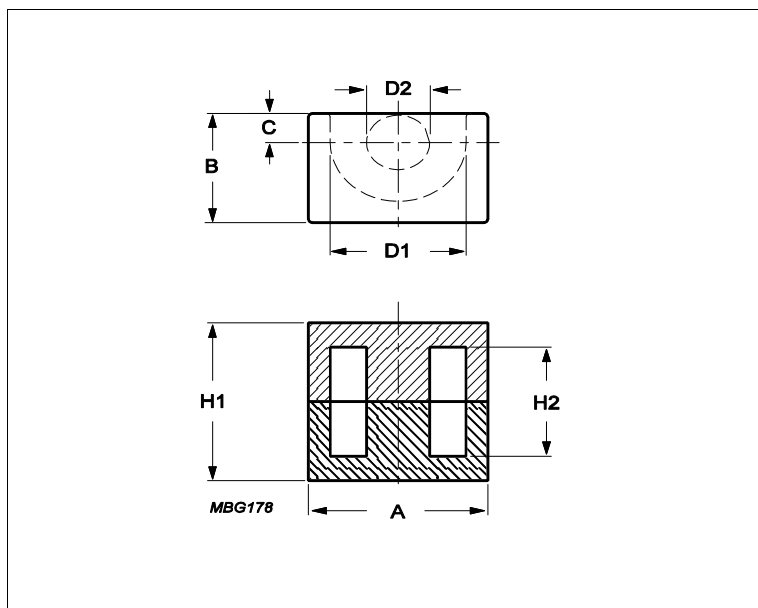


## Core **EP7**



Effective parameters			
	Parameter	Value	Unit
$\Sigma(I/A)$	core factor (C1)	1.45	mm <sup>-1</sup>
<b>Ve</b>	effective volume	165	mm <sup>3</sup>
<b>Le</b>	effective length	15.5	mm
<b>Ae</b>	effective area	10.7	mm <sup>2</sup>
<b>Amin</b>	minimum area	8.55	mm <sup>2</sup>
<b>m</b>	EP7	≈ 1.4	g/set

Dimensions for product: EP7

	Nom	Tol +	Tol -	Max	Min	Unit
<b>A</b>	9.40	0.00	0.40	9.40	9.00	mm
<b>B</b>	6.50	0.00	0.30	6.50	6.20	mm
<b>C</b>	1.70	0.10	0.10	1.80	1.60	mm
<b>D1</b>	7.20	0.40	0.00	7.60	7.20	mm
<b>D2</b>	3.40	0.00	0.20	3.40	3.20	mm
<b>H1</b>	7.50	0.00	0.20	7.50	7.30	mm
<b>H2</b>	5.00	0.40	0.00	5.40	5.00	mm

Inductance factor

Material	Value	Tol +	Tol -	Unit
3C91	1300	25%	25%	nH/turns <sup>2</sup>
3C96	1120	25%	25%	nH/turns <sup>2</sup>
3F36	790	25%	25%	nH/turns <sup>2</sup>
3F46	520	25%	25%	nH/turns <sup>2</sup>

Power loss: 3C91

Measuring conditions			Max	Unit
100 kHz	200 mT	60 °C	0.082	W/set

Power loss: 3C96

Measuring conditions			Max	Unit
100 kHz	200 mT	100 °C	0.074	W/set
400 kHz	50 mT	100 °C	0.030	W/set

Power loss: 3F36

Measuring conditions			Max	Unit
----------------------	--	--	-----	------

## Core **EP7**

Power loss: 3F36				
Measuring conditions			Max	Unit
500 kHz	50 mT	100 °C	0.025	W/set
500 kHz	100 mT	100 °C	0.190	W/set

Power loss: 3F46				
Measuring conditions			Max	Unit
1000 kHz	50 mT	100 °C	0.066	W/set
3000 kHz	10 mT	100 °C	0.017	W/set

Bsat					
Measuring conditions			Material	Min	Unit
25 kHz	250 A/m	100 °C	3C91	320	mT
25 kHz	250 A/m	100 °C	3C96	340	mT
25 kHz	250 A/m	100 °C	3F36	340	mT
25 kHz	250 A/m	100 °C	3F46	330	mT

Accessories		
Ordering name	Description	Ordering code
CLI/P-EP7	Clip, with ground pin	432202101261
CLI-EP7	Clip	432202100771
CLI-EP7-B	Clip	432202107161
CPHS-EP7-2S-6P-C	Coil former, termoplastic, horizontal, S	432202107501
CPHS-EP7-2S-6P-Z	Coil former, termoplastic, horizontal, S	432202106521
CSH-EP7-1S-4P-BZ	Coil former, termoset, horizontal	432202106331
CSH-EP7-1S-6P-BZ	Coil former, termoset, horizontal	432202106321
CSH-EP7-1S-6P-TZ	Coil former, termoset, horizontal	432202106491
CSH-EP7-2S-6P-IZ	Coil former, termoset, horizontal	432202106571
CSH-EP7-2S-6P-T	Coil former, termoset, horizontal	432202101701
CSHS-EP7-1S-5P-Z	Coil former, termoset, horizontal, SMD	432202106351
CSHS-EP7-1S-6P-Z	Coil former, termoset, horizontal, SMD	432202106341
CSHS-EP7-1S-8P-LZ	Coil former, termoset, horizontal, SMD	432202106971