



13005EC

Preliminary

NPN SILICON TRANSISTOR

NPN SILICON POWER TRANSISTORS

■ DESCRIPTION

These devices are designed for high-voltage, high-speed power switching inductive circuits where fall time is critical. They are particularly suited for 115 and 220 V SWITCHMODE.

■ FEATURES

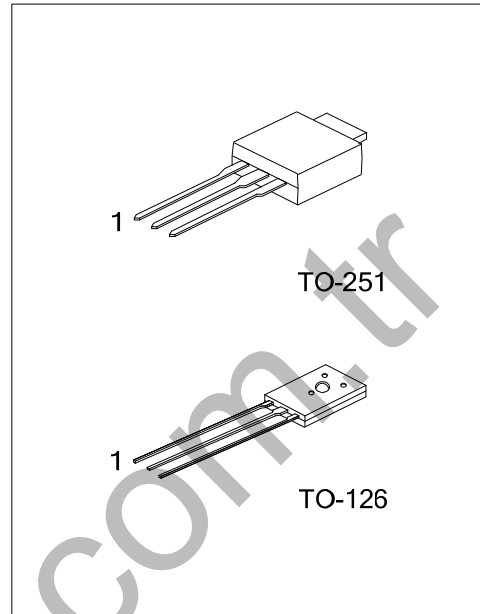
- * $V_{CE0(SUS)} = 850\text{ V}$
- * Reverse bias SOA with inductive loads @ $T_C = 100^\circ\text{C}$
- * Inductive switching matrix 2 to 4 Amp, 25 and 100°C
 $t_c @ 3\text{A}, 100^\circ\text{C}$ is 180 ns (Typ)
- * 850V blocking capability
- * SOA and switching applications information

■ APPLICATIONS

- * Switching regulator's, inverters
- * Motor controls
- * Solenoid/Relay drivers
- * Deflection circuits

■ ORDERING INFORMATION

Ordering Number		Package	Pin Assignment			Packing
Lead Free	Halogen Free		1	2	3	
13005ECL-x-TM3-T	13005ECG-x-TM3-T	TO-251	B	C	E	Tube
13005ECL-x-T60-F-K	13005ECG-x-T60-F-K	TO-126	B	C	E	Bulk



<p>13005ECL-T60-F-B</p>	<p>(1) T: Tube, B: Bluk</p> <p>(2) refer to Pin Assignment</p> <p>(3) TM3: TO-251, T60: TO-126</p> <p>(4) L: Lead Free, G: Halogen Free</p>
-------------------------	---

■ MARKING INFORMATION

TO-251	TO-126

■ ABSOLUTE MAXIMUM RATINGS

PARAMETER		SYMBOL	RATINGS	UNIT
Collector-Emitter Voltage		$V_{CEO(SUS)}$	400	V
Collector-Emitter Voltage ($V_{BE}=0$)		V_{CES}	850	V
Collector-Base Voltage		V_{CBO}	850	V
Emitter Base Voltage		V_{EBO}	9	V
Collector Current	Continuous	I_C	4	A
	Peak (1)	I_{CM}	8	A
Base Current	Continuous	I_B	2	A
	Peak (1)	I_{BM}	4	A
Emitter Current	Continuous	I_E	6	A
	Peak (1)	I_{EM}	12	A
Power Dissipation at $T_C=25^\circ\text{C}$	TO-251	P_D	10	W
	TO-126		8	W
Junction Temperature		T_J	-65 ~ +150	$^\circ\text{C}$
Storage Temperature Range		T_{STG}	-65 ~ +150	$^\circ\text{C}$

Note: Absolute maximum ratings are those values beyond which the device could be permanently damaged.

Absolute maximum ratings are stress ratings only and functional device operation is not implied.

■ THERMAL DATA

PARAMETER		SYMBOL	RATINGS	UNIT
Junction to Ambient	TO-251	θ_{JA}	95	$^\circ\text{C/W}$
	TO-126		100	
Junction to Case	TO-251	θ_{JC}	13	$^\circ\text{C/W}$
	TO-126		16.25	

■ ELECTRICAL CHARACTERISTICS ($T_C=25^\circ\text{C}$, unless otherwise specified)

PARAMETER	SYMBOL	TEST CONDITIONS	MIN	TYP	MAX	UNIT
OFF CHARACTERISTICS (Note 1)						
Collector-Emitter Sustaining Voltage	$V_{CEO(SUS)}$	$I_C=10\text{mA}$, $I_B=0$	850			V
Collector Cutoff Current	I_{CBO}	$V_{CBO}=\text{Rated Value}$, $V_{BE(OFF)}=1.5\text{V}$			1	mA
		$V_{CBO}=\text{Rated Value}$, $V_{BE(OFF)}=1.5\text{V}$, $T_C=100^\circ\text{C}$			5	
Emitter Cutoff Current	I_{EBO}	$V_{EB}=9\text{V}$, $I_C=0$			1	mA
ON CHARACTERISTICS (Note 1)						
DC Current Gain	h_{FE1}	$I_C=0.5\text{A}$, $V_{CE}=5\text{V}$	15		50	
	h_{FE2}	$I_C=1\text{A}$, $V_{CE}=5\text{V}$	10		60	
	h_{FE3}	$I_C=2\text{A}$, $V_{CE}=5\text{V}$	8		40	
Collector-Emitter Saturation Voltage	$V_{CE(SAT)}$	$I_C=1\text{A}$, $I_B=0.2\text{A}$			0.5	V
		$I_C=2\text{A}$, $I_B=0.5\text{A}$			0.6	V
		$I_C=4\text{A}$, $I_B=1\text{A}$			1	V
		$I_C=2\text{A}$, $I_B=0.5\text{A}$, $T_A=100^\circ\text{C}$			1	V
Base-Emitter Saturation Voltage	$V_{BE(SAT)}$	$I_C=1\text{A}$, $I_B=0.2\text{A}$			1.2	V
		$I_C=2\text{A}$, $I_B=0.5\text{A}$			1.6	V
		$I_C=2\text{A}$, $I_B=0.5\text{A}$, $T_C=100^\circ\text{C}$			1.5	V
DYNAMIC CHARACTERISTICS						
Current-Gain-Bandwidth Product	f_T	$I_C=500\text{mA}$, $V_{CE}=10\text{V}$, $f=1\text{MHz}$	4			MHz
Output Capacitance	C_{OB}	$V_{CB}=10\text{V}$, $I_E=0$, $f=0.1\text{MHz}$		65		pF
SWITCHING CHARACTERISTICS						
Resistive Load (Table 1)						
Delay Time	t_D	$V_{CC}=125\text{V}$, $I_C=2\text{A}$, $I_{B1}=I_{B2}=0.4\text{A}$, $t_p=25\mu\text{s}$, Duty Cycle $\leq 1\%$		0.025	0.1	μs
Rise Time	t_R			0.3	0.7	μs
Storage Time	t_S			1.7	4	μs
Fall Time	t_F			0.4	0.9	μs

Note: 1. Pulse Test: Pulse Width=5ms, Duty Cycle $\leq 10\%$

2. Pulse Test: $P_W=300\mu\text{s}$, Duty Cycle $\leq 2\%$

■ CLASSIFICATION OF h_{FE1}

RANK	A	B	C	D	E
RANGE	15 ~ 20	20 ~ 25	25 ~ 30	30 ~ 40	40 ~ 50

UTC assumes no responsibility for equipment failures that result from using products at values that exceed, even momentarily, rated values (such as maximum ratings, operating condition ranges, or other parameters) listed in products specifications of any and all UTC products described or contained herein. UTC products are not designed for use in life support appliances, devices or systems where malfunction of these products can be reasonably expected to result in personal injury. Reproduction in whole or in part is prohibited without the prior written consent of the copyright owner. The information presented in this document does not form part of any quotation or contract, is believed to be accurate and reliable and may be changed without notice.