

CONNECTORS MANUFACTURER

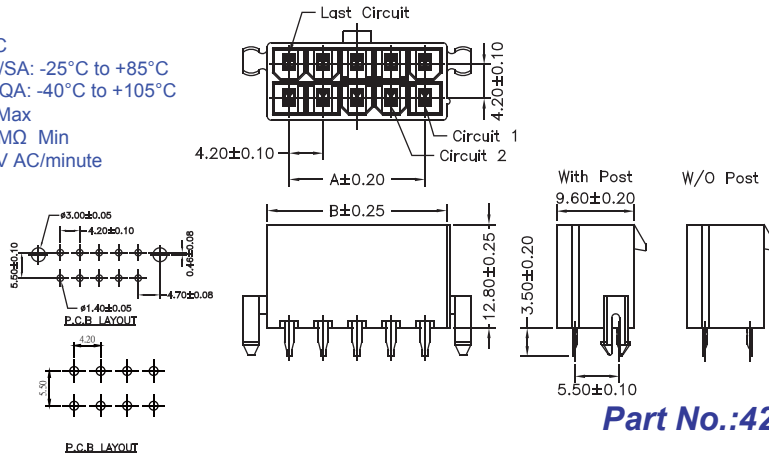


4.2mm Wafer Straight Type / Square Pin Right Angle Type

Specifications
 Current Rating: 9A AC,DC
 Voltage Rating: 600V AC,DC
 Temperature Range: 4200S/SA: -25°C to +85°C
 4200RQA: -40°C to +105°C

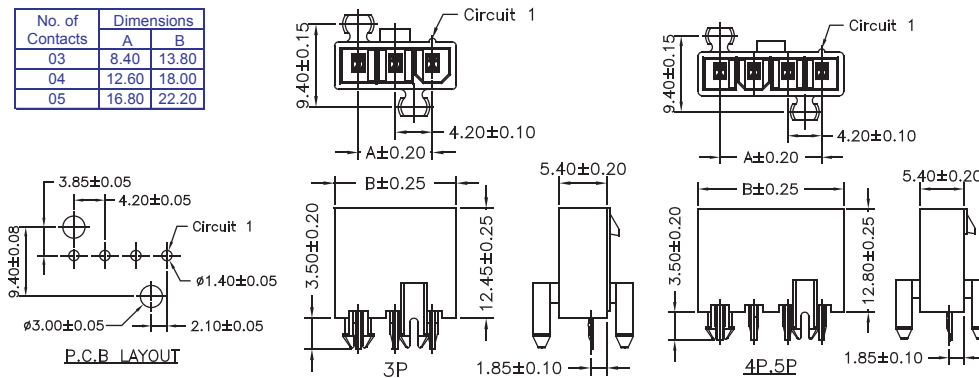
Contact Resistance: 10mΩ Max
 Insulation Resistance: 1000MΩ Min
 Withstanding Voltage: 1500V AC/minute
 Terminal: Brass / Tin Plated
 Material: Nylon 66, UL94V-2

No. of Contacts	Dimensions	
	A	B
2x1	---	5.40
2x2	4.20	9.60
2x3	8.40	13.80
2x4	12.60	18.00
2x5	16.80	22.20
2x6	21.00	26.40
2x7	25.20	30.60
2x8	29.40	34.80
2x9	33.60	39.00
2x10	37.80	43.20
2x11	42.00	47.40
2x12	46.20	51.60



Part No.: 4200S-2XXTW-L
 1: With Post
 2: W/O Post

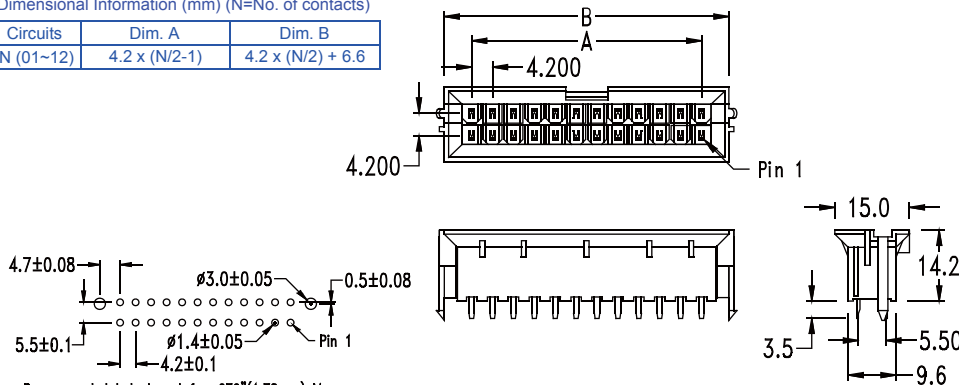
No. of Contacts	Dimensions	
	A	B
03	8.40	13.80
04	12.60	18.00
05	16.80	22.20



Part No.: 4200S-1XXTW1-L

Dimensional Information (mm) (N=No. of contacts)

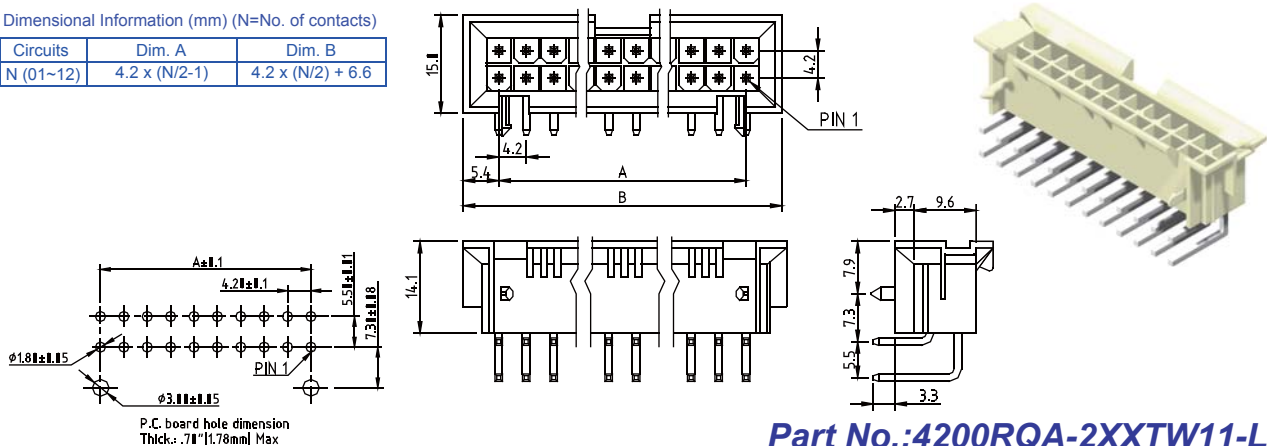
Circuits	Dim. A	Dim. B
N (01~12)	4.2 x (N/2-1)	4.2 x (N/2) + 6.6



Part No.: 4200SA-2XXTW1-L

Dimensional Information (mm) (N=No. of contacts)

Circuits	Dim. A	Dim. B
N (01~12)	4.2 x (N/2-1)	4.2 x (N/2) + 6.6



Part No.: 4200RQA-2XXTW11-L

Housing Wafer Terminal



ROHS