



### Features

- Top view 0603 package
- Viewing Angle =  $\pm 65^\circ$
- Compatible with infrared and vapor phase reflow solder process
- High reliability
- Dual dominant wavelength (B=470nm , R=621nm)
- RoHS compliance

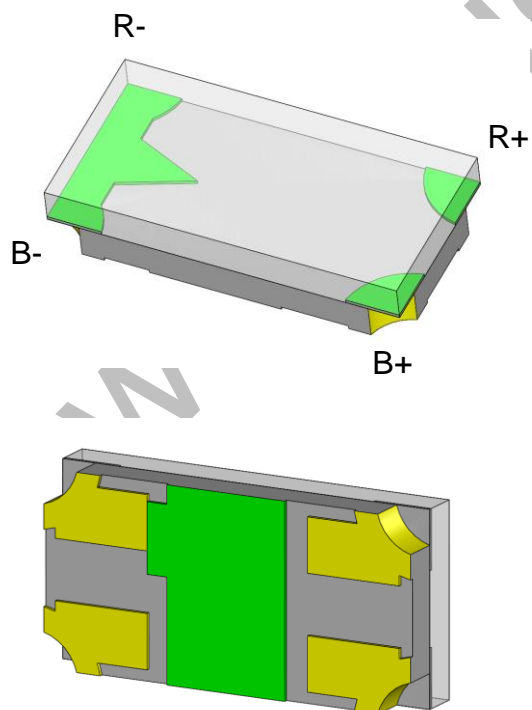
### Applications

- Optical indicator.
- Switch and Symbol Display.

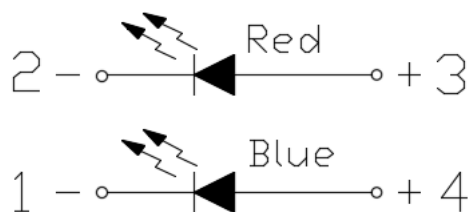
### Description

The BRP160803-CTC3 is a double LED housed in a miniature SMD package. The device has a dominant wavelength of 470nm and 621nm LED.

### Package Outline



### Schematic



**Absolute Maximum Rating at 25°C**

Symbol	Parameters		Ratings	Units	Notes
I <sub>F</sub>	Continuous Forward Current	B	25	mA	
		R	25		
I <sub>FP</sub>	Peak Forward Current	B	100	mA	1
		R	60		
V <sub>R</sub>	Reverse Voltage		5	V	
T <sub>opr</sub>	Operating Temperature		-40 ~ +85	°C	
T <sub>stg</sub>	Storage Temperature		-40 ~ +100	°C	
T <sub>sol</sub>	Soldering Temperature		260	°C	2
P <sub>D</sub>	Power Dissipation at(or below) 25°C Free Air Temperature	B	95	mW	
		R	60		

**Electro-Optical Characteristics** *TA = 25°C (unless otherwise specified)***Optical Characteristics (Blue)**

Symbol	Parameters	Test Conditions	Min	Typ	Max	Units	Notes
I <sub>v</sub>	Luminous Intensity	I <sub>F</sub> =5mA	36	-	90	mcd	3
λ <sub>p</sub>	Peak Wavelength	I <sub>F</sub> =5mA	-	466	-		
λ <sub>d</sub>	Dominant Wavelength	I <sub>F</sub> =5mA	460	-	475	nm	4
θ <sub>1/2</sub>	Angle of Half Intensity	I <sub>F</sub> =5mA	-	±65	-	deg	

**Electrical Characteristics**

Symbol	Parameters	Test Conditions	Min	Typ	Max	Units	Notes
V <sub>F</sub>	Forward Voltage	I <sub>F</sub> =5mA	2.5	-	3.1	V	
I <sub>R</sub>	Reverse Current	V <sub>R</sub> =5V	-	-	1	μA	

**Optical Characteristics (Red)**

Symbol	Parameters	Test Conditions	Min	Typ	Max	Units	Notes
I <sub>v</sub>	Luminous Intensity	I <sub>F</sub> =5mA	22.5	-	57.0	mcd	3
λ <sub>p</sub>	Peak Wavelength	I <sub>F</sub> =5mA	-	632	-		
λ <sub>d</sub>	Dominant Wavelength	I <sub>F</sub> =5mA	-	621	-	nm	
θ <sub>1/2</sub>	Angle of Half Intensity	I <sub>F</sub> =5mA	-	±65	-	deg	

**Electrical Characteristics**

Symbol	Parameters	Test Conditions	Min	Typ	Max	Units	Notes
V <sub>F</sub>	Forward Voltage	I <sub>F</sub> =5mA	1.7	-	2.1	V	
I <sub>R</sub>	Reverse Current	V <sub>R</sub> =5V	-	-	1	μA	

**Notes:**

1. I<sub>FP</sub> Conditions--Pulse Width ≤ 100μs and Duty ≤ 10%.
2. Soldering time ≤ 10 seconds.
3. Bin Range of Luminous Intensity

Blue				
Bin Code	Min	Max	Unit	Condition
NA	36	57	mcd	I <sub>F</sub> =5mA
PA	57	90		
Red				
Bin Code	Min	Max	Unit	Condition
MA	22.5	36.0	mcd	I <sub>F</sub> =5mA
NA	36.0	57.0		

Tolerance of: Luminous Intensity ±10%

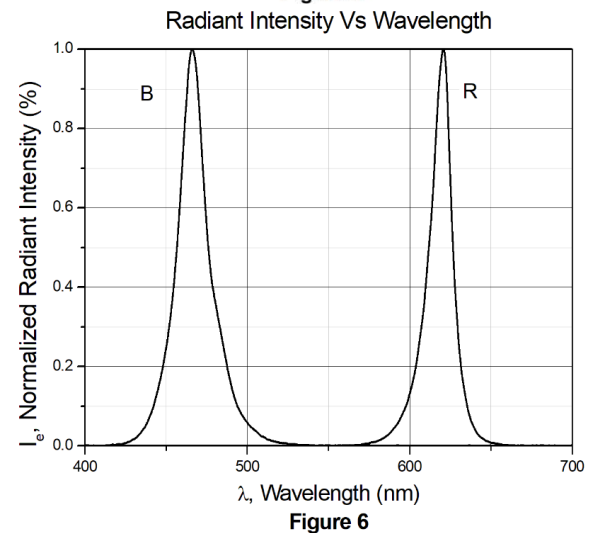
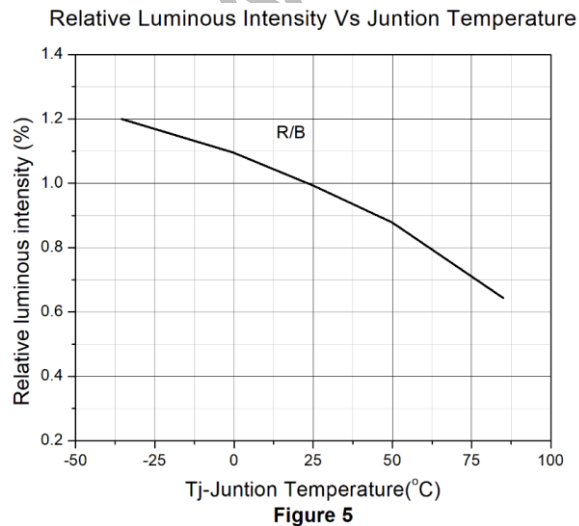
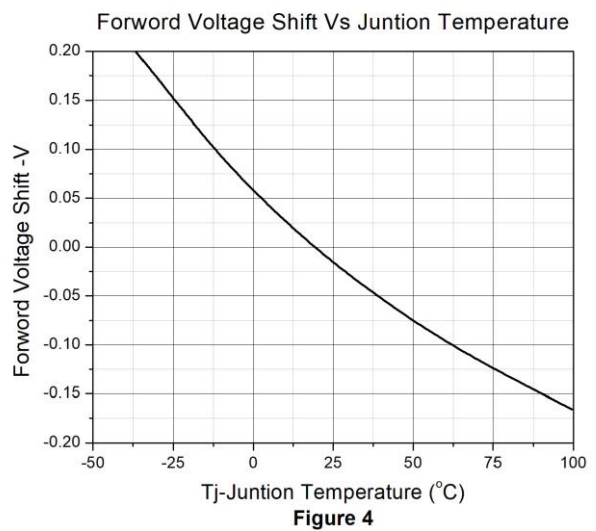
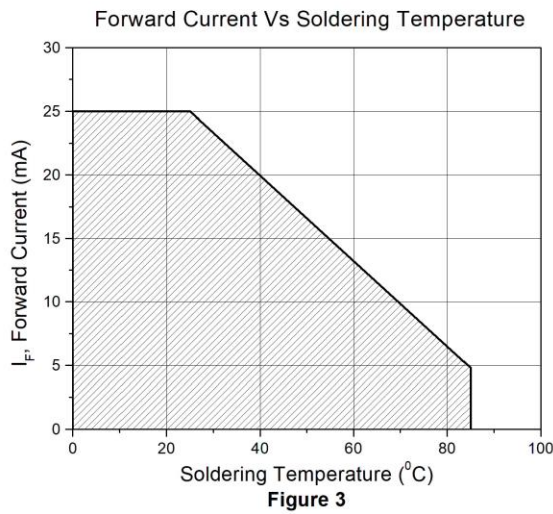
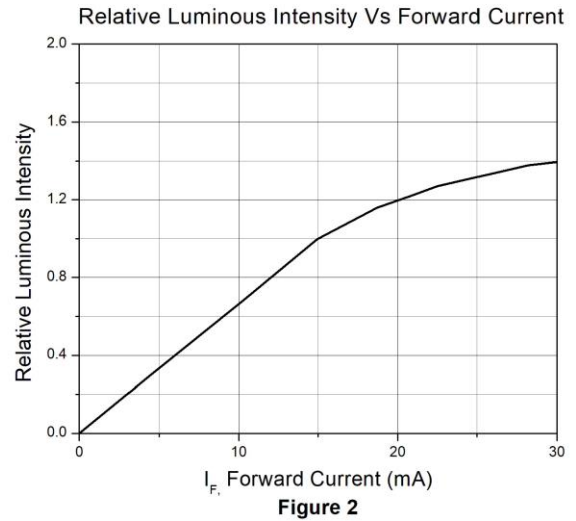
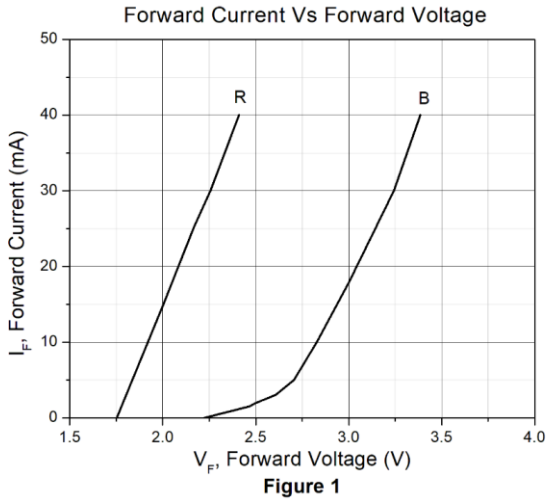
4. Bin Range of Dominant Wavelength

Blue				
Bin Code	Min	Max	Unit	Condition
A5	460	465	nm	I <sub>F</sub> =5mA
A6	465	470		
A7	470	475		

Tolerance of Dominant Wavelength: ±1nm.



### Typical Characteristic Curves





Typical Characteristic Curves

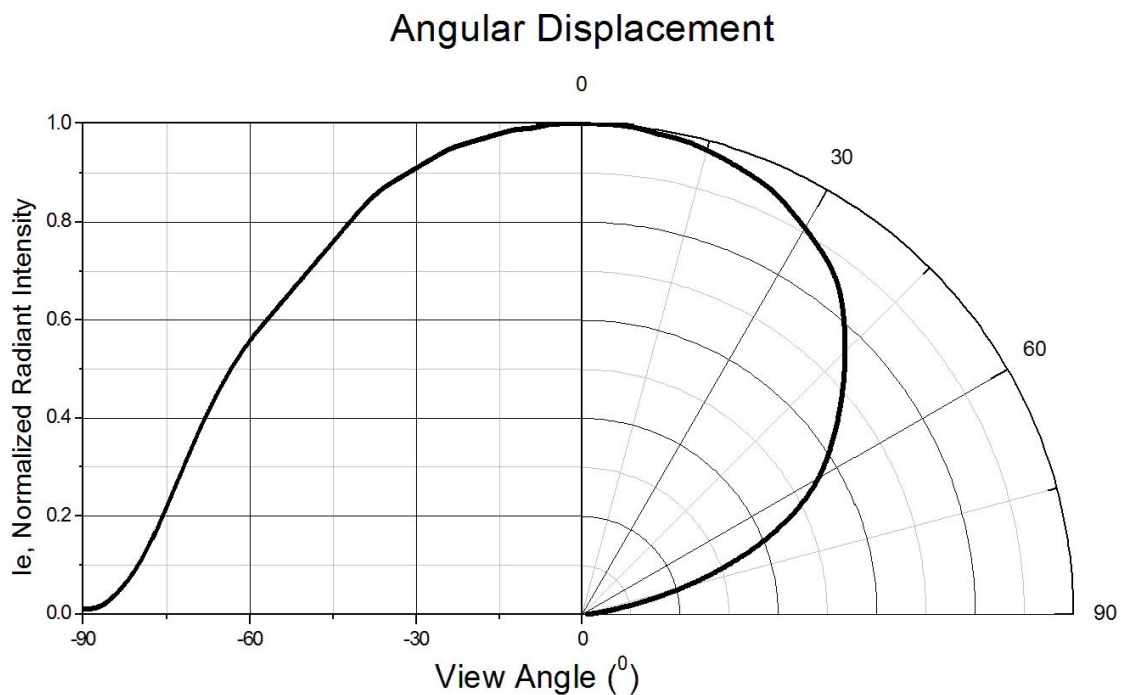
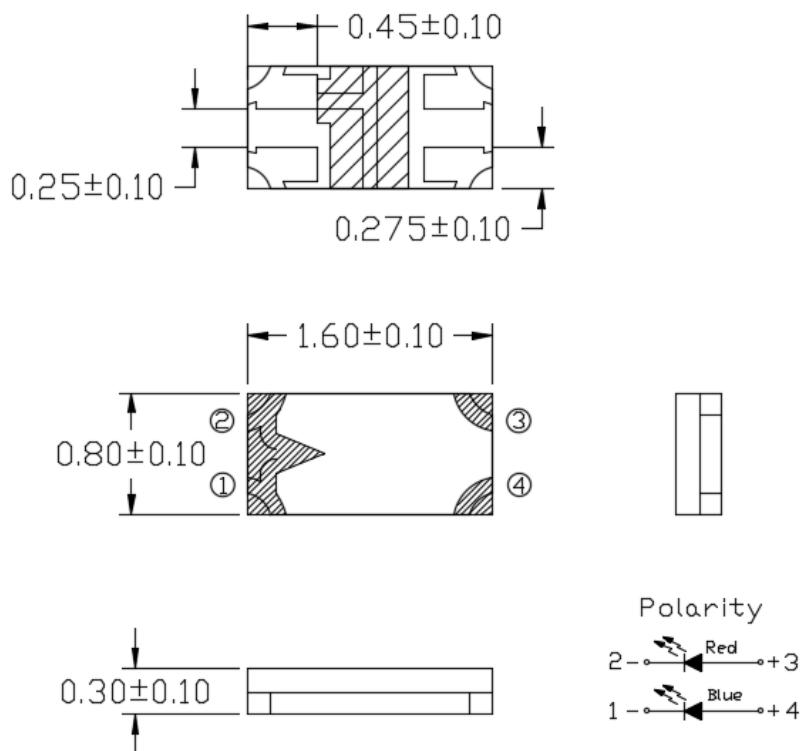


Figure 7

WWW.SIC

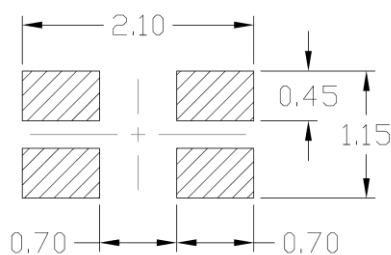


**Package Dimension** *All dimensions are in mm, unless otherwise stated*



Note: Tolerance unless mentioned is  $\pm 0.1$ mm.

**Recommended Soldering Mask** *All dimensions are in mm, unless otherwise stated*



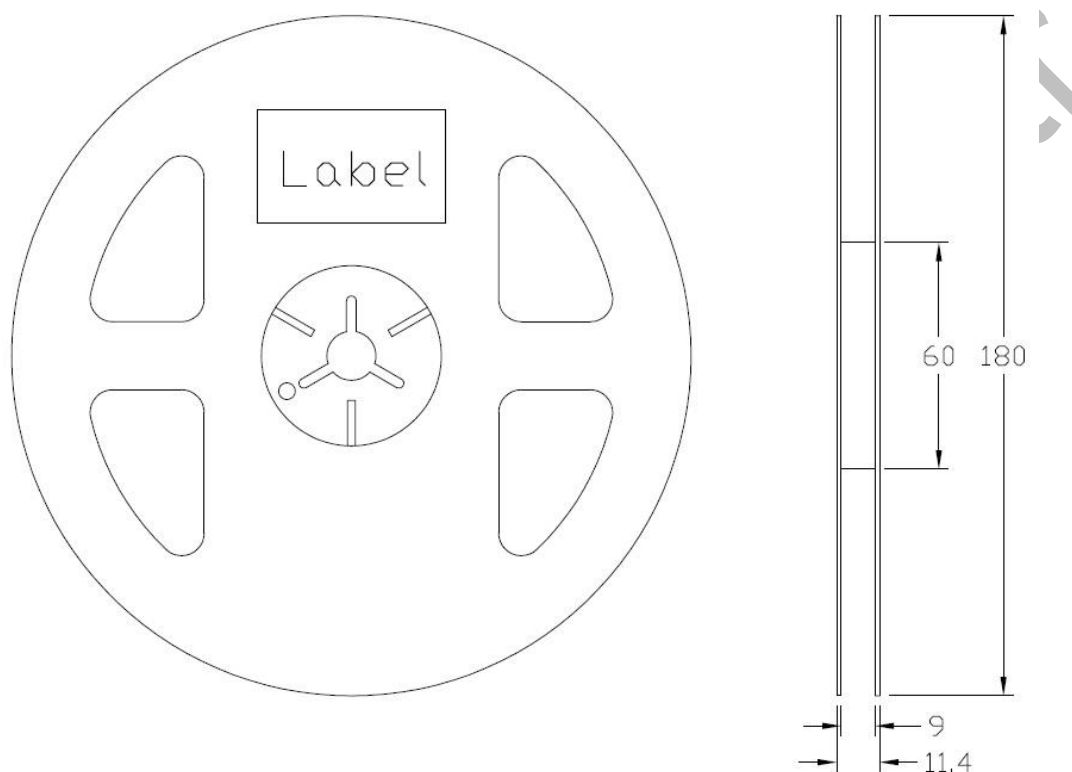
Note: Tolerance unless mentioned is  $\pm 0.1$ mm.

**Ordering Information**

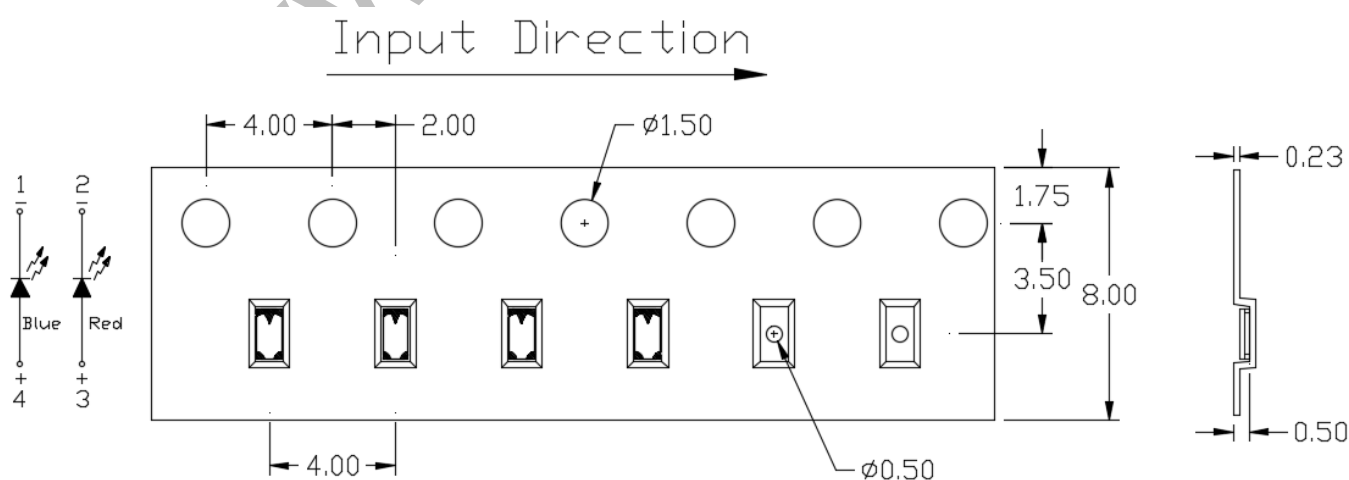
Part Number	Description	Quantity
BRP160803-CTC3	Tape & Reel	3000 pcs



**Reel Dimension** *All dimensions are in mm, unless otherwise stated*



**Tape Dimension** *All dimensions are in mm, unless otherwise stated*



Note: Tolerance unless mentioned is  $\pm 0.1$ mm.



### Label Form Specification



CPN : Customer Part Number  
 Part no: CTM Production Number  
 Serial no: Production Number  
 Lot no: Lot number  
 Q'ty: Packing Quantity  
 Date Code: Manufacture Date  
 IV : Bin Code of Luminous Intensity  
 WD : Bin Code of Dominant Wavelength  
 VF : Bin Code of Forward Voltage  
 MADE IN CHINA: Production Place

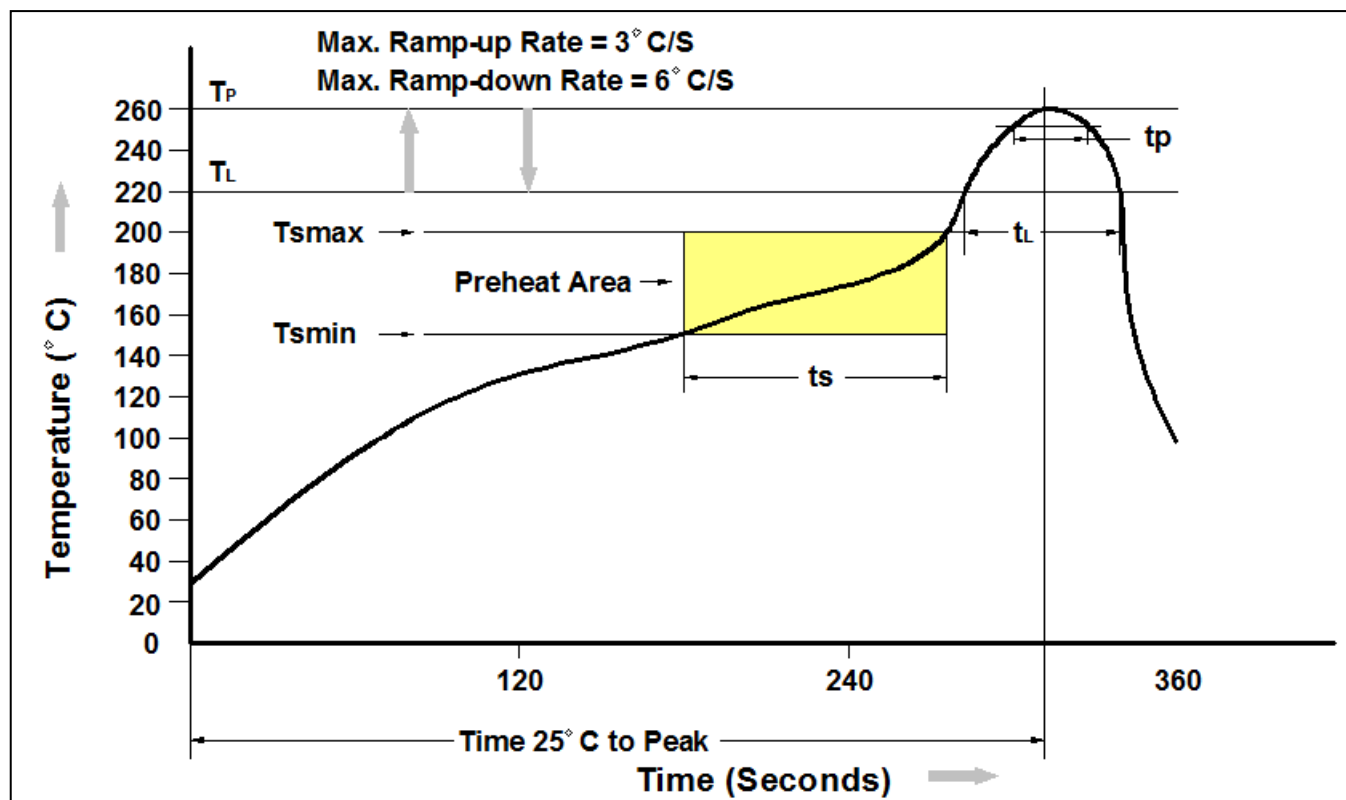
### Storage Condition

1. Do not open moisture proof bag before the products are ready to use.
2. The moisture barrier bag should be stored at 30°C and 90%R.H. max. before opening.  
Shelf life of non-opened bag is 12 months after the bag sealing date.
3. After opening the moisture barrier bag floor life is 1 year at 30°C/60%RH. max. Unused LEDs should be resealed into moisture barrier bag. (Refer to J-STD-020 Standard)
4. If the moisture absorbent material has faded away or the LEDs have exceeded the storage time, baking treatment should be performed using the J-STD-033 Standard conditions.





### Reflow Profile



Profile Feature	Pb-Free Assembly Profile
Temperature Min. (T <sub>min</sub> )	150°C
Temperature Max. (T <sub>max</sub> )	200°C
Time (t <sub>s</sub> ) from (T <sub>min</sub> to T <sub>max</sub> )	60-120 seconds
Ramp-up Rate (t <sub>L</sub> to t <sub>P</sub> )	3°C/second max.
Liquidous Temperature (T <sub>L</sub> )	217°C
Time (t <sub>L</sub> ) Maintained Above (T <sub>L</sub> )	60 – 150 seconds
Peak Body Package Temperature	260°C +0°C / -5°C
Time (t <sub>P</sub> ) within 5°C of 260°C	30 seconds
Ramp-down Rate (T <sub>P</sub> to T <sub>L</sub> )	6°C/second max
Time 25°C to Peak Temperature	8 minutes max.



## DISCLAIMER

CT MICRO RESERVES THE RIGHT TO MAKE CHANGES WITHOUT FURTHER NOTICE TO ANY PRODUCTS HEREIN TO IMPROVE RELIABILITY, FUNCTION OR DESIGN. CT MICRO DOES NOT ASSUME ANY LIABILITY ARISING OUT OF THE APPLICATION OR USE OF ANY PRODUCT OR CIRCUIT DESCRIBED HEREIN; NEITHER DOES IT CONVEY ANY LICENSE UNDER ITS PATENT RIGHTS, NOR THE RIGHTS OF OTHERS.

---

CT MICRO ARE NOT AUTHORIZED FOR USE AS CRITICAL COMPONENTS IN LIFE SUPPORT DEVICES OR SYSTEMS WITHOUT EXPRESS WRITTEN APPROVAL OF CT MICRO INTERNATIONAL CORPORATION.

- 1. Life support devices or systems are devices or systems which, (a) are intended for surgical implant into the body, or (b) support or sustain life, or (c) whose failure to perform when properly used in accordance with instruction for use provided in the labelling, can be reasonably expected to result in significant injury to the user.*
- 2. A critical component is any component of a life support device or system whose failure to perform can be reasonably expected to cause the failure of the life support device or system, or to affect its safety or effectiveness.*