

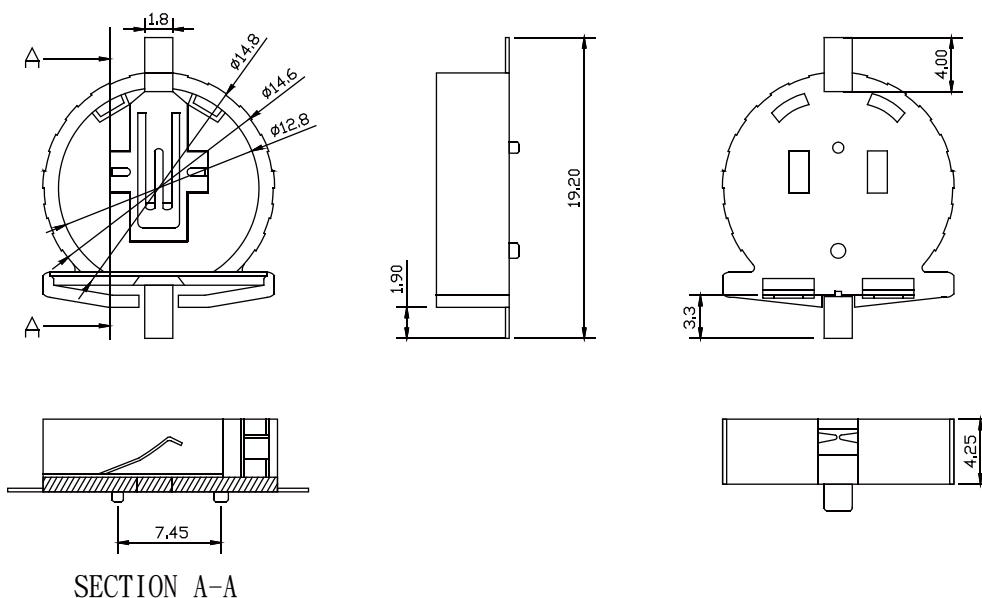


Battery Holder

Pb
ROHS

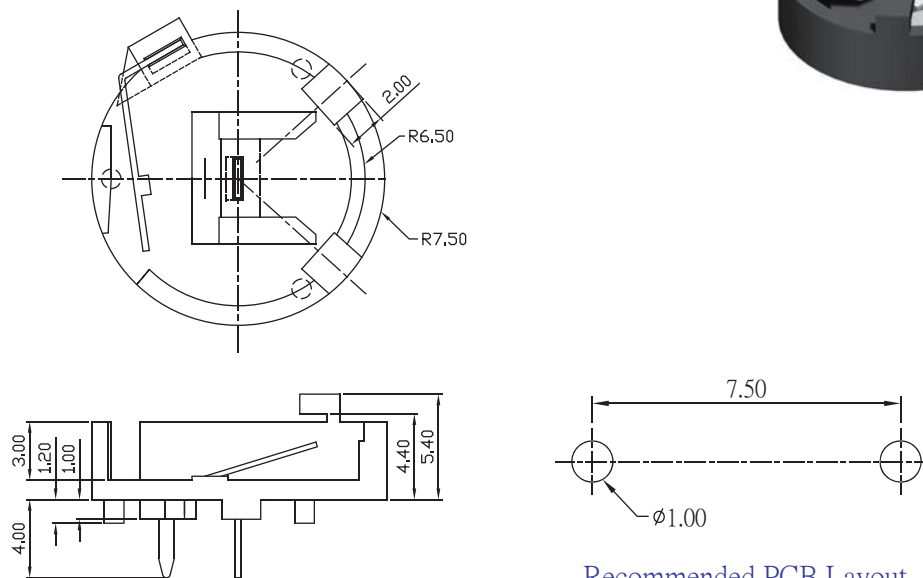
Battery Holder Conn. Coin Type

Material
 Insulator Material:PPS,UL 94V-0
 Terminal:Copper Alloy
 Plated:Gold Plated



Part No.:BTM-1220GN-U

Material
 Insulator Material:PBT,UL 94V-0
 Terminal:Copper Alloy
 Plated:Tin Plated
 For CR1225



Recommended PCB Layout
 (PCB TOLERANCE ± 0.05)

Part No.:BTD-1225TB-L

AMTEK CONNECTORS MANUFACTURING