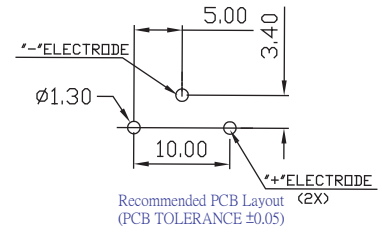
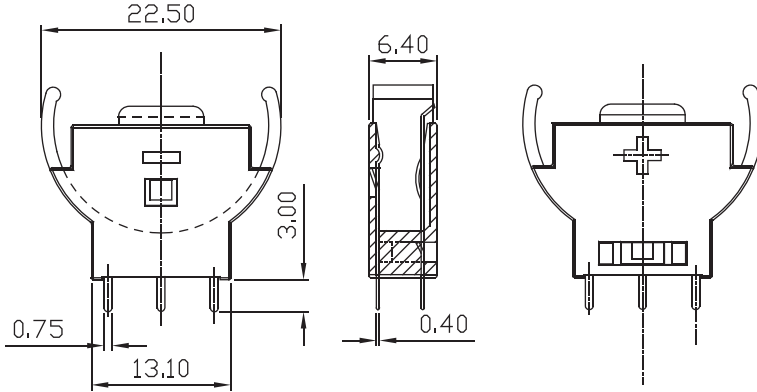




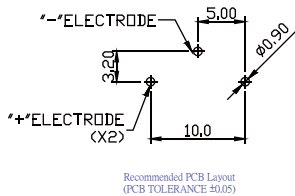
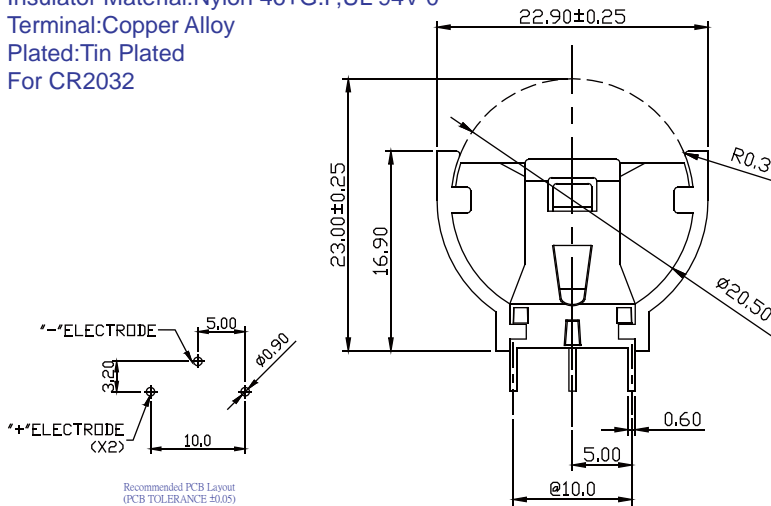
## Battery Holder Conn. Coin Type

Material  
 Insulator Material: Nylon 46, UL 94V-0  
 Terminal: Copper Alloy  
 Plated: Tin Plated  
 For CR2032



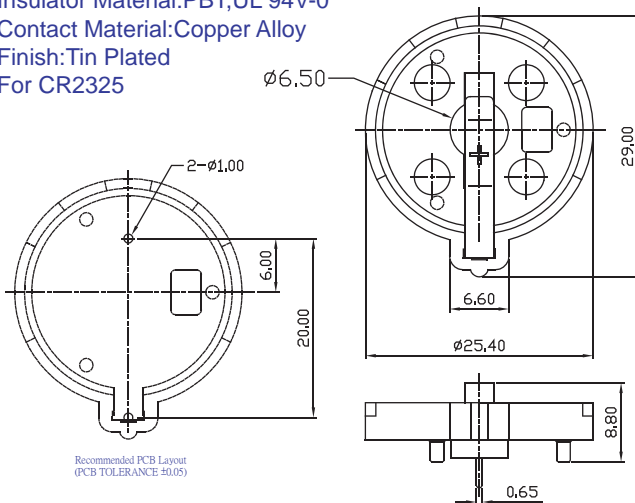
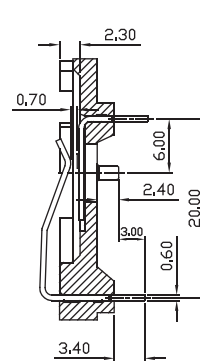
Part No.: BTV-2032TB-U

Material  
 Insulator Material: Nylon 46+G.F, UL 94V-0  
 Terminal: Copper Alloy  
 Plated: Tin Plated  
 For CR2032



Part No.: BTVA-2032TB-U

Material  
 Insulator Material: PBT, UL 94V-0  
 Contact Material: Copper Alloy  
 Finish: Tin Plated  
 For CR2325



Part No.: BTD-2325TB-L

Battery Holder

Pb ROHS