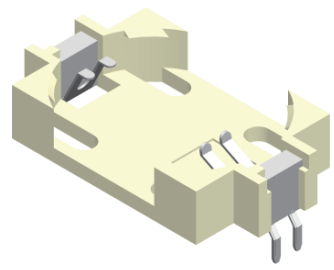
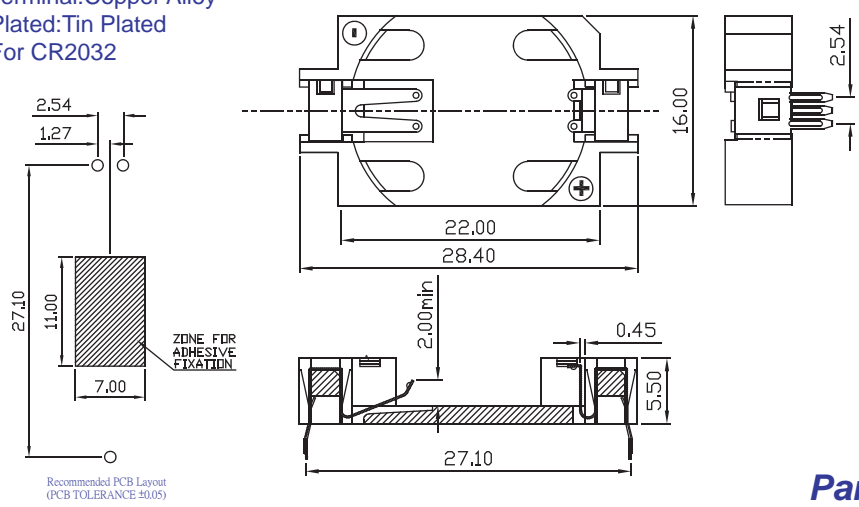




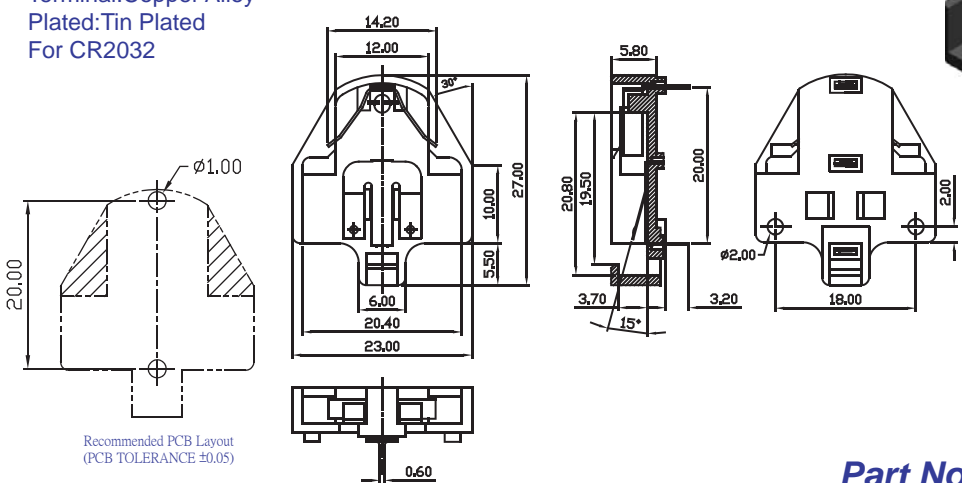
Battery Holder Conn. Coin Type

Material
 Insulator Material: LCP, UL 94V-0
 Terminal: Copper Alloy
 Plated: Tin Plated
 For CR2032



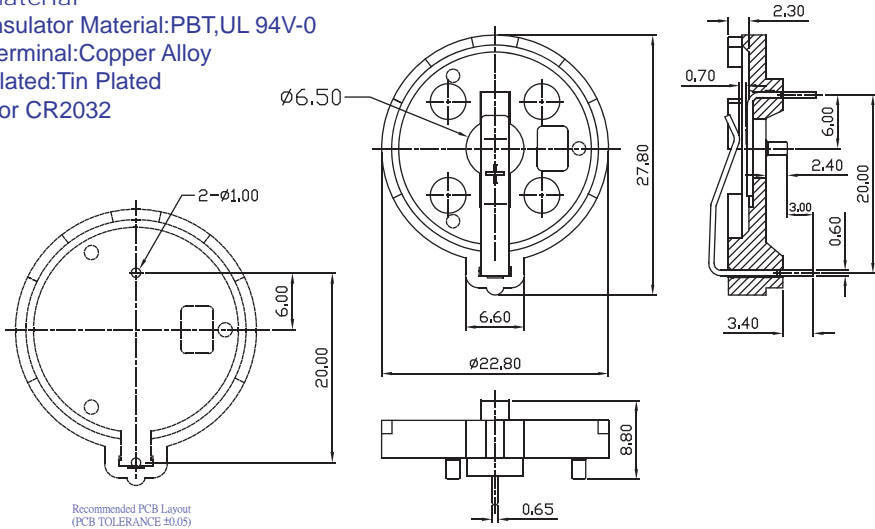
Part No.: BTD-2032TW-U

Material
 Insulator Material: PBT, UL 94V-0
 Terminal: Copper Alloy
 Plated: Tin Plated
 For CR2032



Part No.: BTDA-2032TB-L

Material
 Insulator Material: PBT, UL 94V-0
 Terminal: Copper Alloy
 Plated: Tin Plated
 For CR2032



Part No.: BTDB-2032TB-L

Battery Holder

Pb ROHS