

## Battery Holder Conn. Coin Type

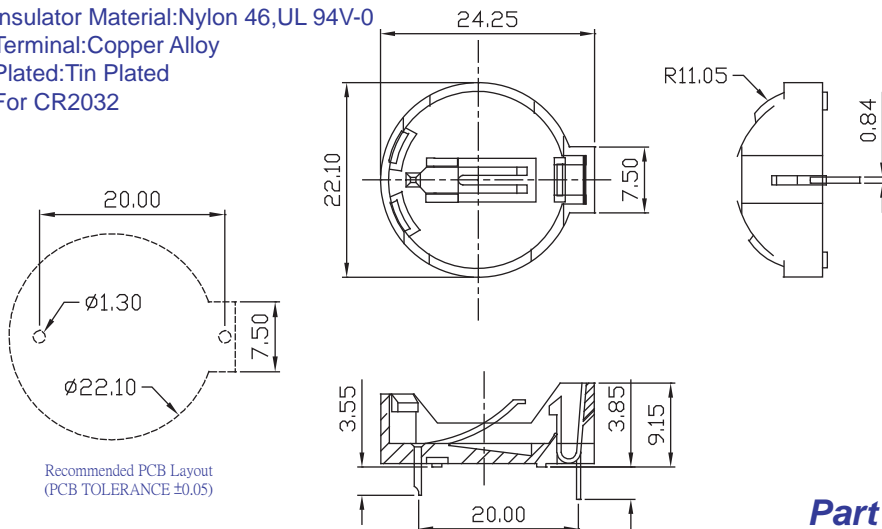
Material

Insulator Material: Nylon 46, UL 94V-0

Terminal: Copper Alloy

Plated: Tin Plated

For CR2032



Part No.: BTDC-2032TB-U



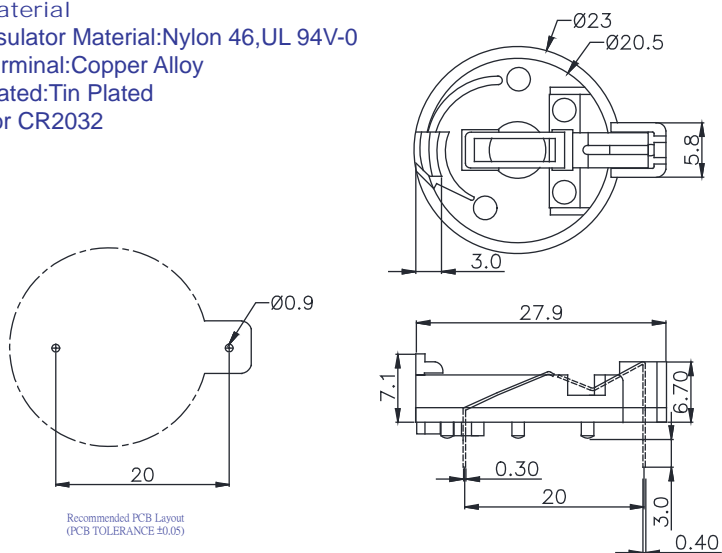
Material

Insulator Material: Nylon 46, UL 94V-0

Terminal: Copper Alloy

Plated: Tin Plated

For CR2032



Part No.: BTDD-2032TB-U



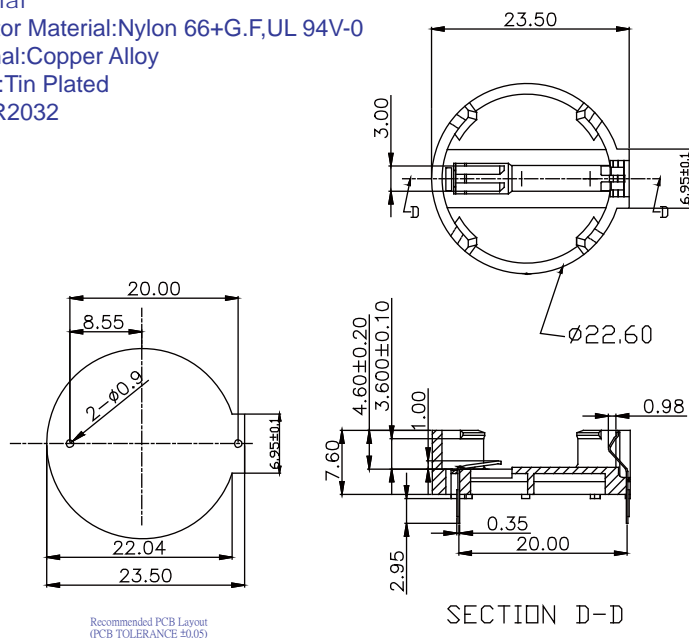
Material

Insulator Material: Nylon 66+G.F, UL 94V-0

Terminal: Copper Alloy

Plated: Tin Plated

For CR2032



Part No.: BTDE-2032TB-L

