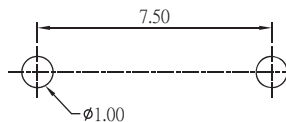
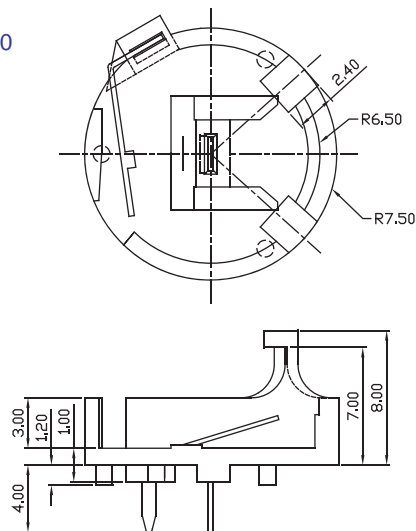


Battery Holder Conn. Coin Type

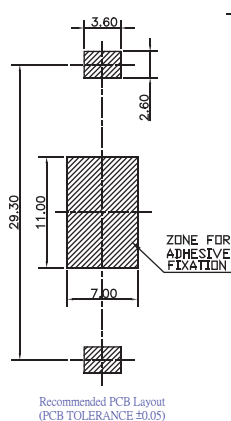
Material
 Insulator Material:PBT,UL 94V-0
 Contact Material:Copper Alloy
 Finish:Tin Plated
 For CR1250



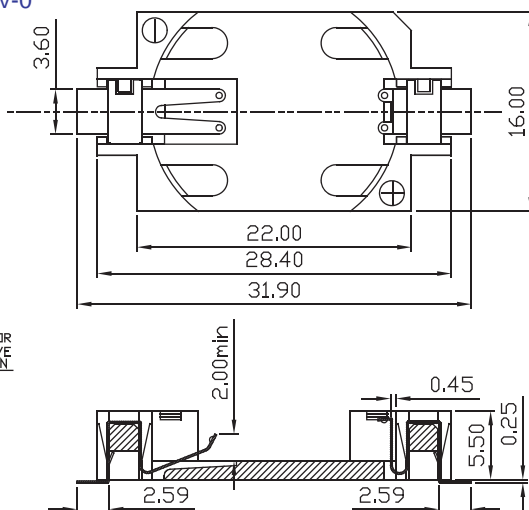
Recommended PCB Layout
 (PCB TOLERANCE ± 0.05)

Part No.:BTD-1250TB-L

Material
 Insulator Material:LCP,UL 94V-0
 Terminal:Copper Alloy
 Plated:Gold Plated
 For CR2032

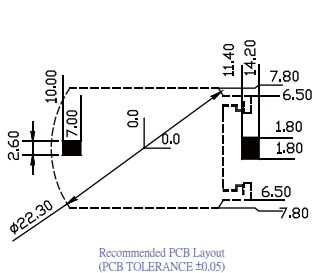


Recommended PCB Layout
 (PCB TOLERANCE ± 0.05)

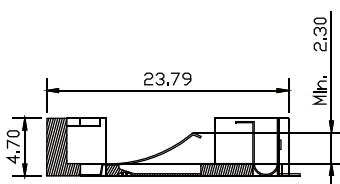
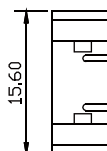
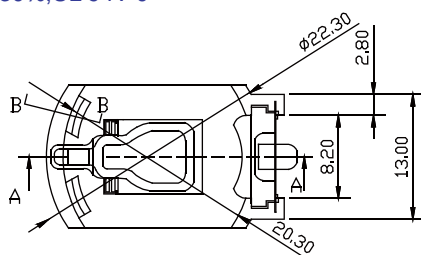


Part No.:BTM-2032GW-U

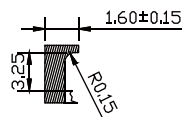
Material
 Insulator Material:PPS+G.F 30%,UL 94V-0
 Terminal:Copper Alloy
 Plated:Gold Plated
 For CR2032



Recommended PCB Layout
 (PCB TOLERANCE ± 0.05)



SECTION B-B



SECTION B-B



Part No.:BTMA-2032GN-U