



GBRP201208-PCTC3

Multi-Wavelength SMD Type

Features

- Top view 0805 package
- Wide viewing angle
- GBR individual control
- High reliability
- RoHS compliance

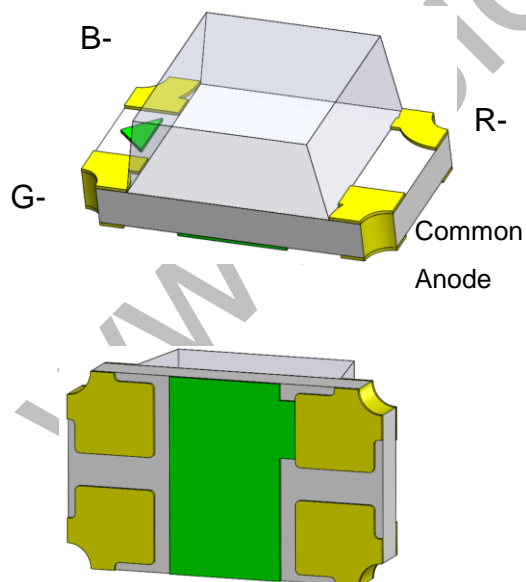
Applications

- Optical indicator.
- Switch and Symbol Display.

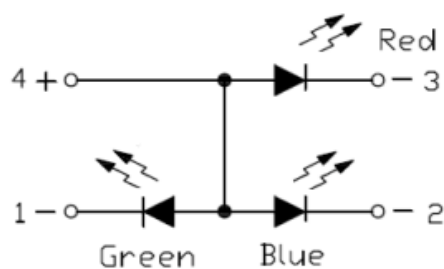
Description

The GBRP201208-PCTC3 is a high brightness device designed for demanding applications in efficiency and reduced space. An ideal device in emphasizing visual effects, advertisement, decoration as well as general backlighting needs.

Package Outline



Schematic





GBRP201208-PCTC3

Multi-Wavelength SMD Type

Absolute Maximum Rating at 25°C

Symbol	Parameters	Ratings		Units	Notes
I _F	Continuous Forward Current	25		mA	
I _{FP}	Peak Forward Current	60		mA	1
V _R	Reverse Voltage	5		V	
T _{opr}	Operating Temperature	-40 ~ +85		°C	
T _{stg}	Storage Temperature	-40 ~ +100		°C	
T _{sol}	Soldering Temperature	260		°C	2
P _D	Power Dissipation at(or below) 25°C Free Air Temperature	G	95	mW	
		B	95		
		R	60		

Electro-Optical Characteristics *TA = 25°C (unless otherwise specified)*

Optical Characteristics(Green)

Symbol	Parameters	Test Conditions	Min	Typ	Max	Units	Notes
I _V	Luminous Intensity	I _F =5mA	180	-	450	mcd	3
λ _P	Peak Wavelength	I _F =5mA	-	516	-	nm	
λ _D	Dominant Wavelength	I _F =5mA	520	-	535	nm	4
θ _{1/2}	Angle of Half Intensity	I _F =5mA	-	±65	-	deg	

Electrical Characteristics

Symbol	Parameters	Test Conditions	Min	Typ	Max	Units	Notes
V _F	Forward Voltage	I _F =5mA	2.4	-	3.1	V	
I _R	Reverse Current	V _R =5V	-	-	1	μA	

Optical Characteristics(Blue)

Symbol	Parameters	Test Conditions	Min	Typ	Max	Units	Notes
I _V	Luminous Intensity	I _F =5mA	45	-	112	mcd	3
λ _P	Peak Wavelength	I _F =5mA	-	466	-	nm	
λ _D	Dominant Wavelength	I _F =5mA	465	-	475	nm	4
θ _{1/2}	Angle of Half Intensity	I _F =5mA	-	±65	-	deg	



GBRP201208-PCTC3

Multi-Wavelength SMD Type

Electrical Characteristics

Symbol	Parameters	Test Conditions	Min	Typ	Max	Units	Notes
V _F	Forward Voltage	I _F =5mA	2.4	-	3.1	V	
I _R	Reverse Current	V _R =5V	-	-	1	μA	

Optical Characteristics(Red)

Symbol	Parameters	Test Conditions	Min	Typ	Max	Units	Notes
I _V	Luminous Intensity	I _F =5mA	36	-	90	mcd	3
λ _P	Peak Wavelength	I _F =5mA	-	632	-	nm	
λ _D	Dominant Wavelength	I _F =5mA	-	621	-	nm	
θ _{1/2}	Angle of Half Intensity	I _F =5mA	-	±65	-	deg	4

Electrical Characteristics

Symbol	Parameters	Test Conditions	Min	Typ	Max	Units	Notes
V _F	Forward Voltage	I _F =5mA	1.6	-	2.1	V	
I _R	Reverse Current	V _R =5V	-	-	1	μA	

Notes:

1. I_{FP} Conditions--Pulse Width ≤ 100μs and Duty ≤ 10%.
2. Soldering time ≤ 10 seconds.
3. Bin Range of Luminous Intensity

Green				
Bin Code	Min	Max	Unit	Condition
S	180	285	mcd	I _F =5mA
T	285	450		
Blue				
P	45	72	mcd	I _F =5mA
Q	72	112		
Red				
NA	36	57	mcd	I _F =5mA
PA	57	90		

Tolerance of: Luminous Intensity ±10%



GBRP201208-PCTC3 Multi-Wavelength SMD Type

4. Bin Range of Dominant Wavelength(Green)

Bin Code	Min	Max	Unit	Condition
A5	520	525	nm	I _F =5mA
A6	525	530		
A7	530	535		

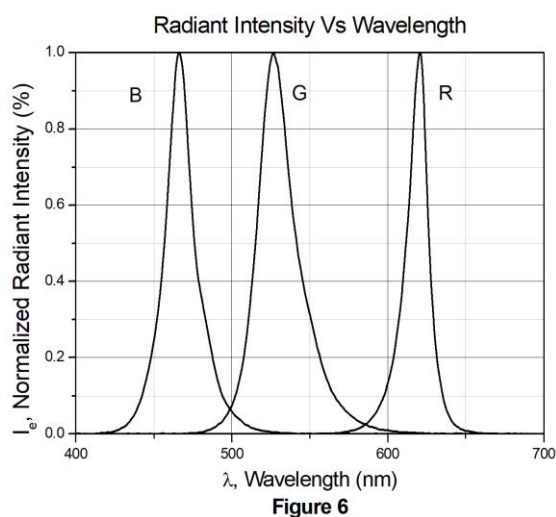
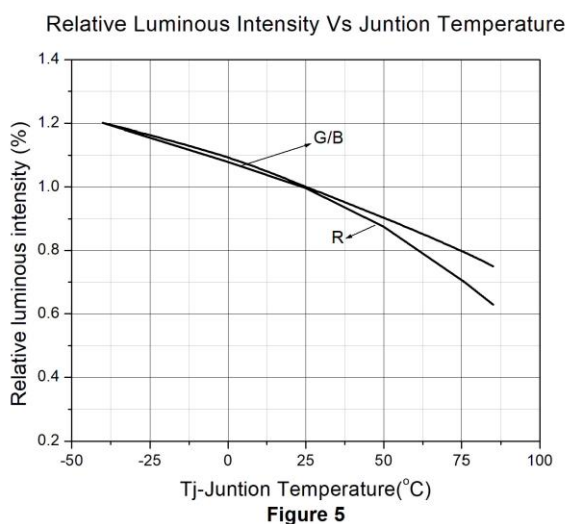
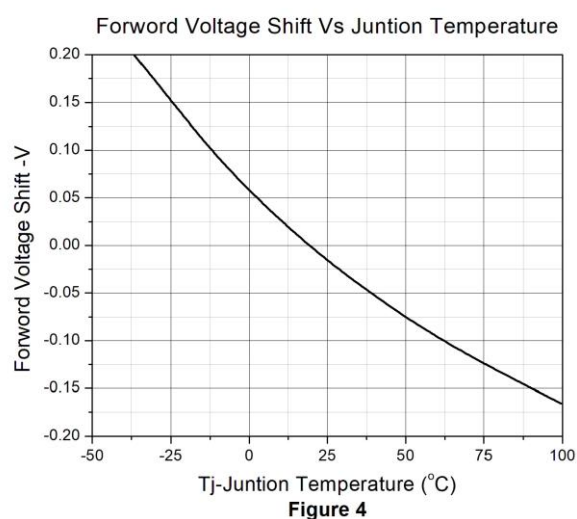
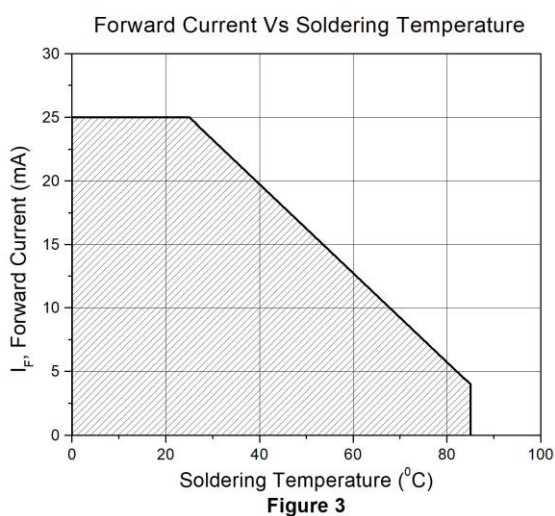
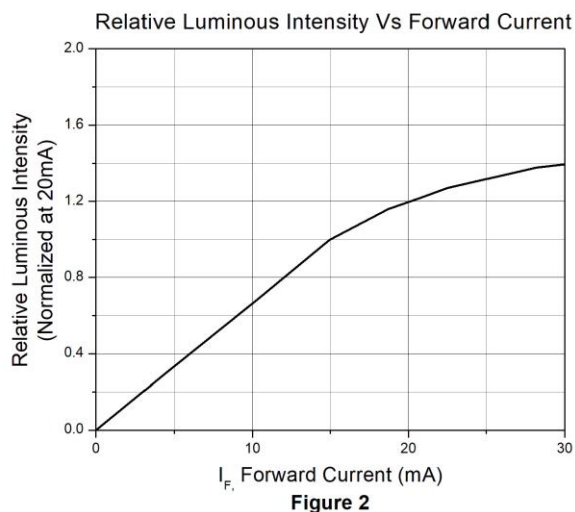
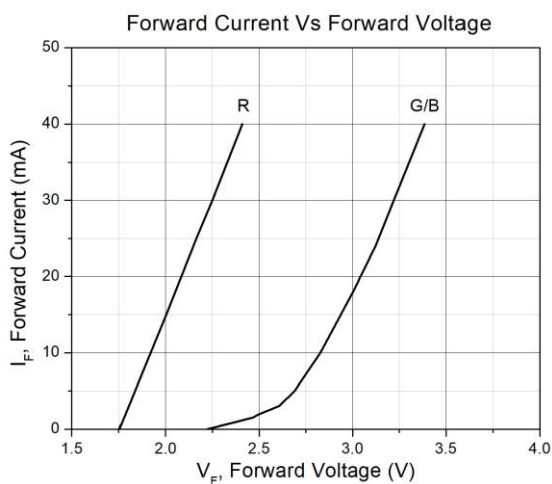
Bin Range of Dominant Wavelength(Blue)

Bin Code	Min	Max	Unit	Condition
A6	465	470	nm	I _F =5mA
A7	470	475		

Tolerance of Dominant Wavelength: ± 1 nm.



Typical Characteristic Curves





Typical Characteristic Curves

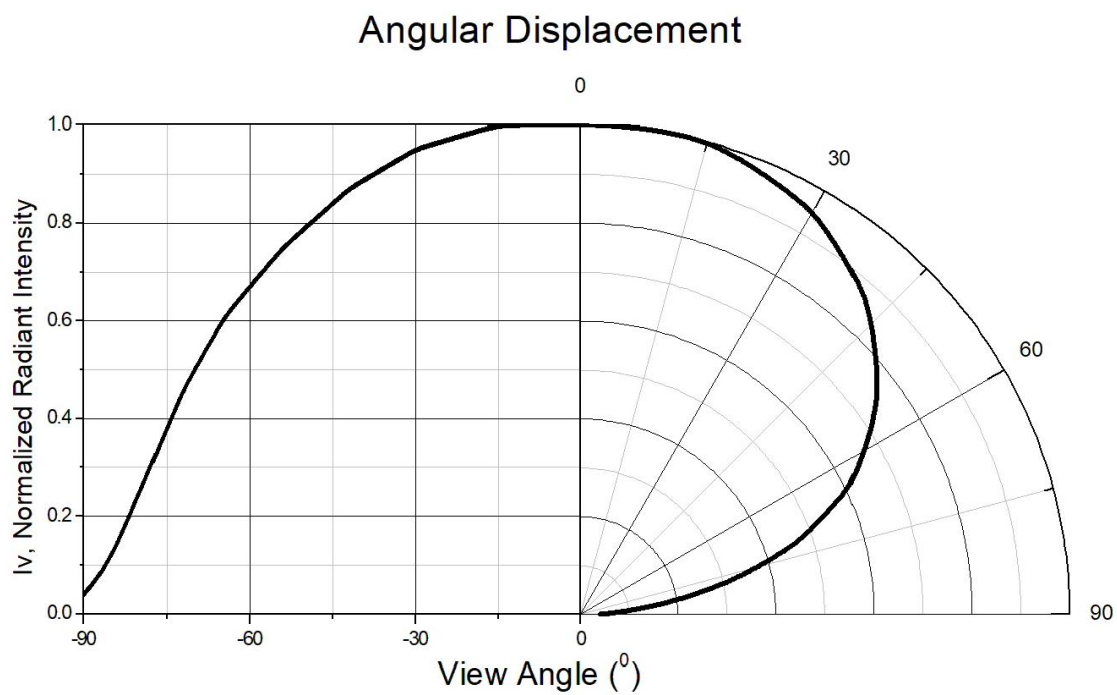
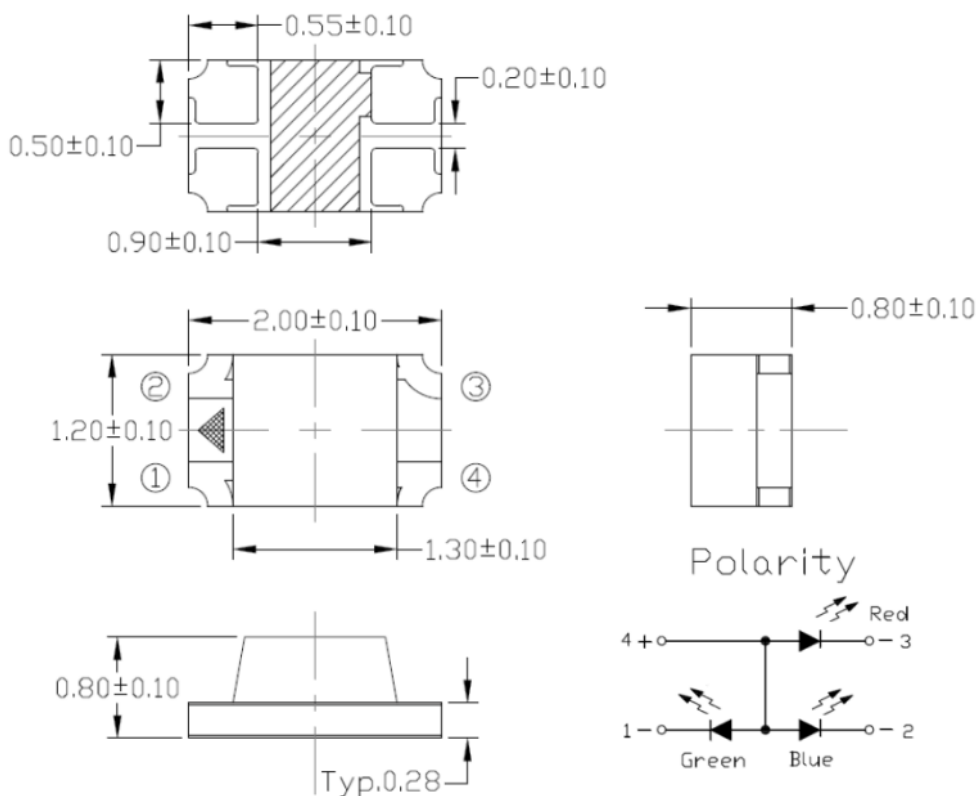


Figure 7

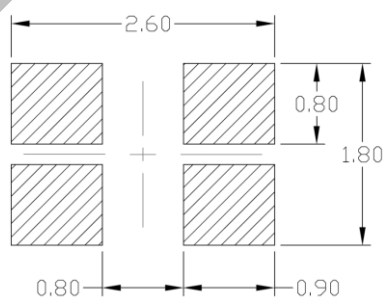


Package Dimension *All dimensions are in mm, unless otherwise stated*



Note: Tolerance unless mentioned is ± 0.1 mm.

Recommended Soldering Mask *All dimensions are in mm, unless otherwise stated*



Note: Tolerance unless mentioned is ± 0.1 mm.

Ordering Information

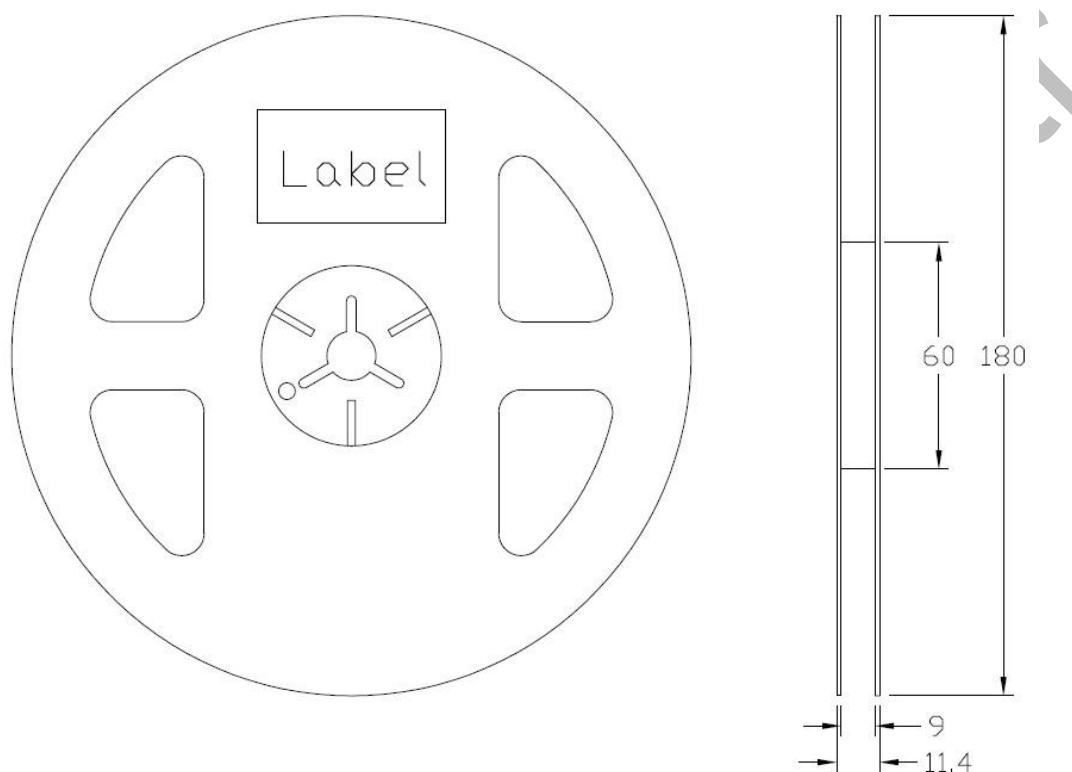
Part Number	Description	Quantity
GBRP201208-PCTC3	Tape & Reel	3000 pcs



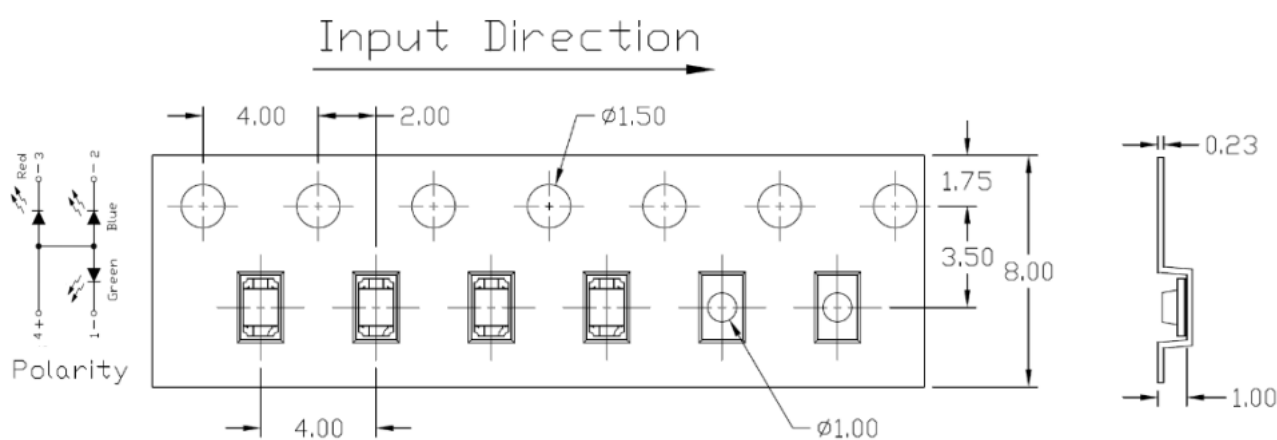
GBRP201208-PCTC3

Multi-Wavelength SMD Type

Reel Dimension *All dimensions are in mm, unless otherwise stated*



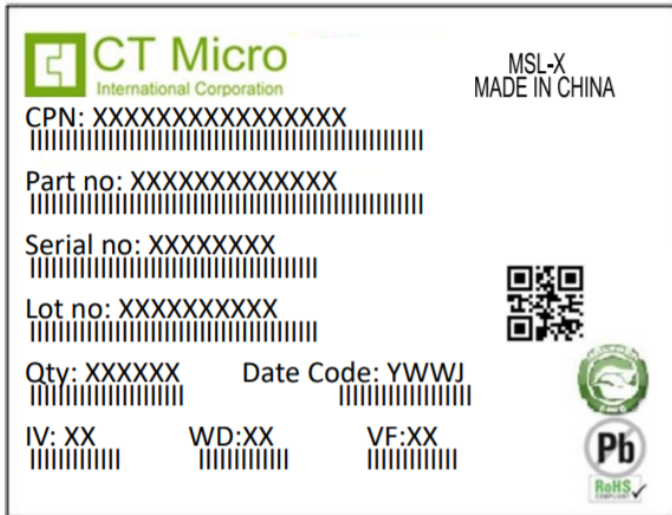
Tape Dimension *All dimensions are in mm, unless otherwise stated*



Note: Tolerance unless mentioned is ± 0.1 mm.



Label Form Specification



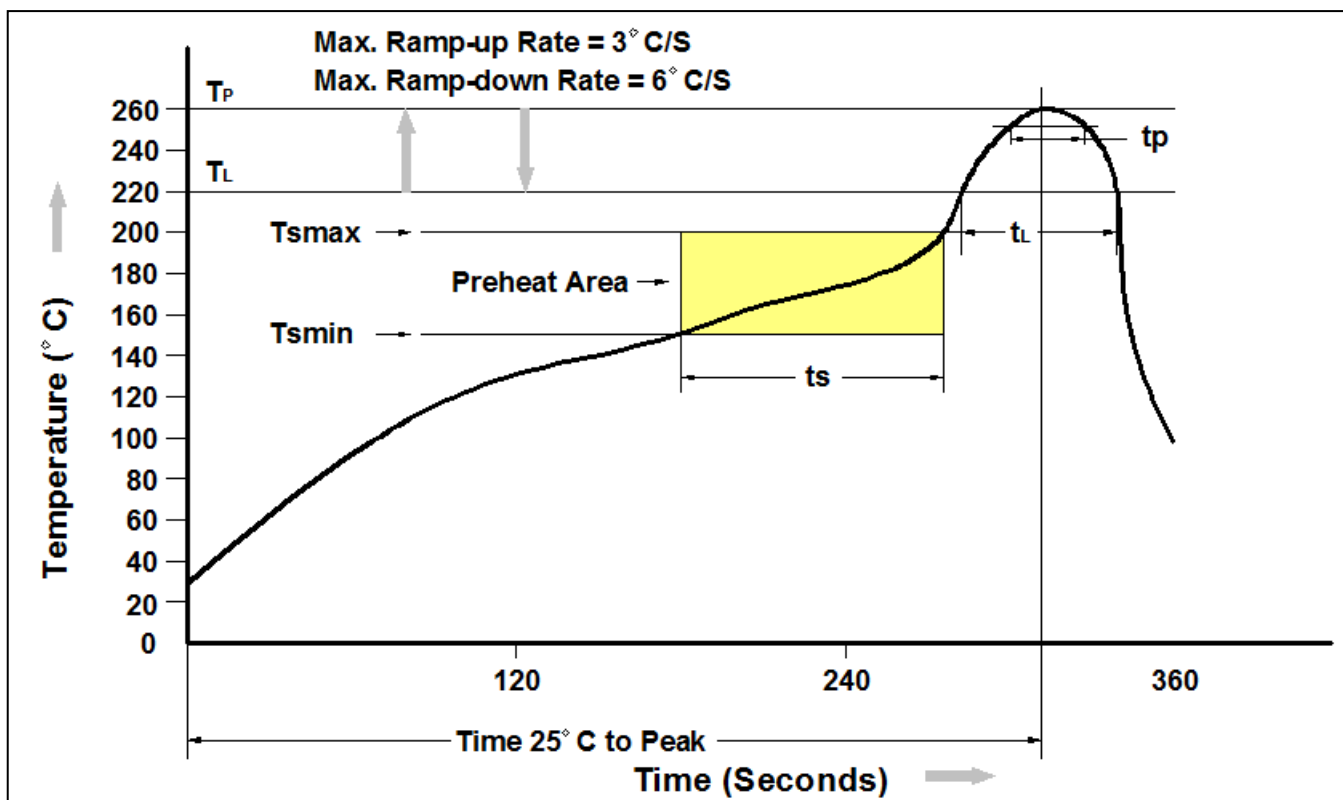
CPN : Customer Part Number
 Part no: CTM Production Number
 Serial no: Production Number
 Lot no: Lot number
 Q'ty: Packing Quantity
 Date Code: Manufacture Date
 IV : Bin Code of Luminous Intensity
 WD : Bin Code of Dominant Wavelength
 VF : Bin Code of Forward Voltage
 MADE IN CHINA: Production Place

Storage Condition

1. Do not open moisture proof bag before the products are ready to use.
2. The moisture barrier bag should be stored at 30°C and 90%R.H. max. before opening.
Shelf life of non-opened bag is 12 months after the bag sealing date.
3. After opening the moisture barrier bag floor life is 1 year at 30°C/60%RH. max. Unused LEDs should be resealed into moisture barrier bag. (Refer to J-STD-020 Standard)
4. If the moisture absorbent material has faded away or the LEDs have exceeded the storage time, baking treatment should be performed using the J-STD-033 Standard conditions.



Reflow Profile



Profile Feature	Pb-Free Assembly Profile
Temperature Min. (T _{min})	150°C
Temperature Max. (T _{max})	200°C
Time (t _s) from (T _{min} to T _{max})	60-120 seconds
Ramp-up Rate (t _L to t _P)	3°C/second max.
Liquidous Temperature (T _L)	217°C
Time (t _L) Maintained Above (T _L)	60 – 150 seconds
Peak Body Package Temperature	260°C +0°C / -5°C
Time (t _P) within 5°C of 260°C	30 seconds
Ramp-down Rate (T _P to T _L)	6°C/second max
Time 25°C to Peak Temperature	8 minutes max.



DISCLAIMER

CT MICRO RESERVES THE RIGHT TO MAKE CHANGES WITHOUT FURTHER NOTICE TO ANY PRODUCTS HEREIN TO IMPROVE RELIABILITY, FUNCTION OR DESIGN. CT MICRO DOES NOT ASSUME ANY LIABILITY ARISING OUT OF THE APPLICATION OR USE OF ANY PRODUCT OR CIRCUIT DESCRIBED HEREIN; NEITHER DOES IT CONVEY ANY LICENSE UNDER ITS PATENT RIGHTS, NOR THE RIGHTS OF OTHERS.

CT MICRO ARE NOT AUTHORIZED FOR USE AS CRITICAL COMPONENTS IN LIFE SUPPORT DEVICES OR SYSTEMS WITHOUT EXPRESS WRITTEN APPROVAL OF CT MICRO INTERNATIONAL CORPORATION.

- 1. Life support devices or systems are devices or systems which, (a) are intended for surgical implant into the body, or (b) support or sustain life, or (c) whose failure to perform when properly used in accordance with instruction for use provided in the labelling, can be reasonably expected to result in significant injury to the user.*
- 2. A critical component is any component of a life support device or system whose failure to perform can be reasonably expected to cause the failure of the life support device or system, or to affect its safety or effectiveness.*