

D-SUB H.D Crimp Type

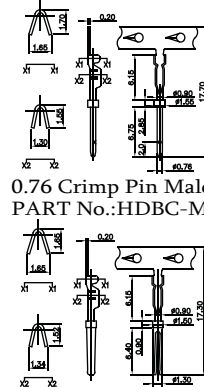
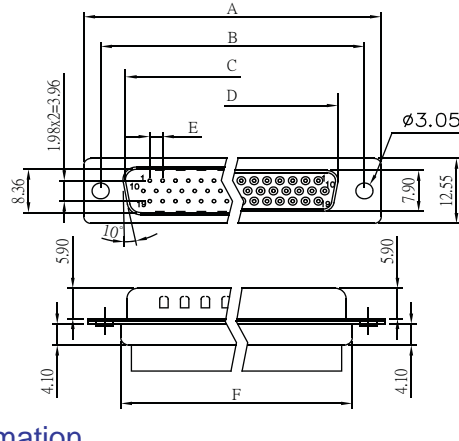
Specifications

Current Rate: 3 AMP
 Insulation Resistance: 1000MΩ Min.
 Contact Resistance: 20mΩ Max.
 Dielectric Voltage: 500V AC for one minute
 Operation Temperature: -55°C to +105°C

Material

Insulator: Polyester, UL 94V-0
 © Standard: PBT
 Terminal: Copper Alloy

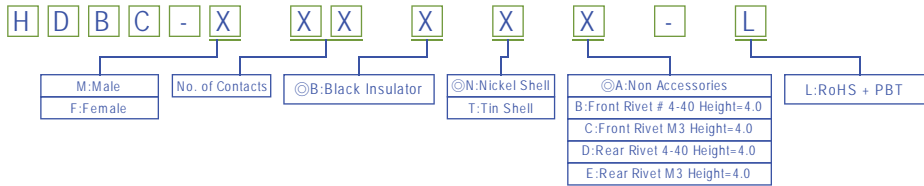
No. of Contacts	Dim. A	Dim. B	Dim. C	Dim. D	Dim. E	Dim. F
15	30.81	24.99	16.92	16.33	2.29	19.20
26	39.14	33.32	25.50	24.66	2.29	27.70
44	53.04	47.04	38.96	38.38	2.29	41.10
62	69.32	63.50	55.42	54.84	2.41	57.30



0.76 Crimp Pin Male
PART No.: HDBC-MT-L

0.76 Crimp Pin Female
PART No.: HDBC-FT-L

Order Information



D-SUB H.D. Elevated Dip Type

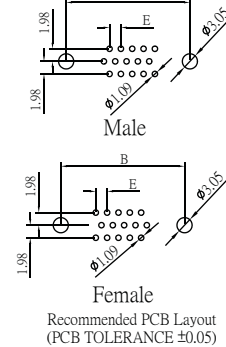
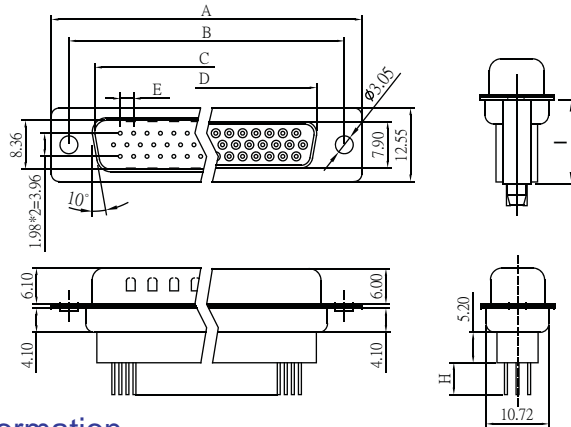
Specifications

Current Rate: 3 AMP
 Insulation Resistance: 1000MΩ Min.
 Contact Resistance: 20mΩ Max.
 Dielectric Voltage: 500V AC for one minute
 Operation Temperature: -55°C to +105°C

Material

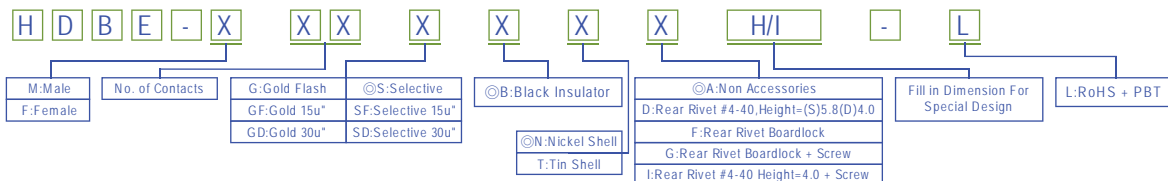
Insulator: Polyester, UL 94V-0
 © Standard: PBT
 Terminal: Copper Alloy

No. of Contacts	Dim. A	Dim. B	Dim. C	Dim. D	Dim. E	Dim. H	Dim. I
15	30.81	24.99	16.92	19.20	2.29	3.60	9.60
26	39.14	33.32	25.50	27.70	2.29	5.40	11.10
44	53.04	47.04	38.96	41.10	2.29	7.20	12.10
62	69.32	63.50	55.42	57.30	2.41	7.20	12.10



Male
Female
Recommended PCB Layout
(PCB TOLERANCE ±0.05)

Order Information



Type See Page 5-1

D-SUB High Density

RoHS

CONNECTOR MANUFACTURER