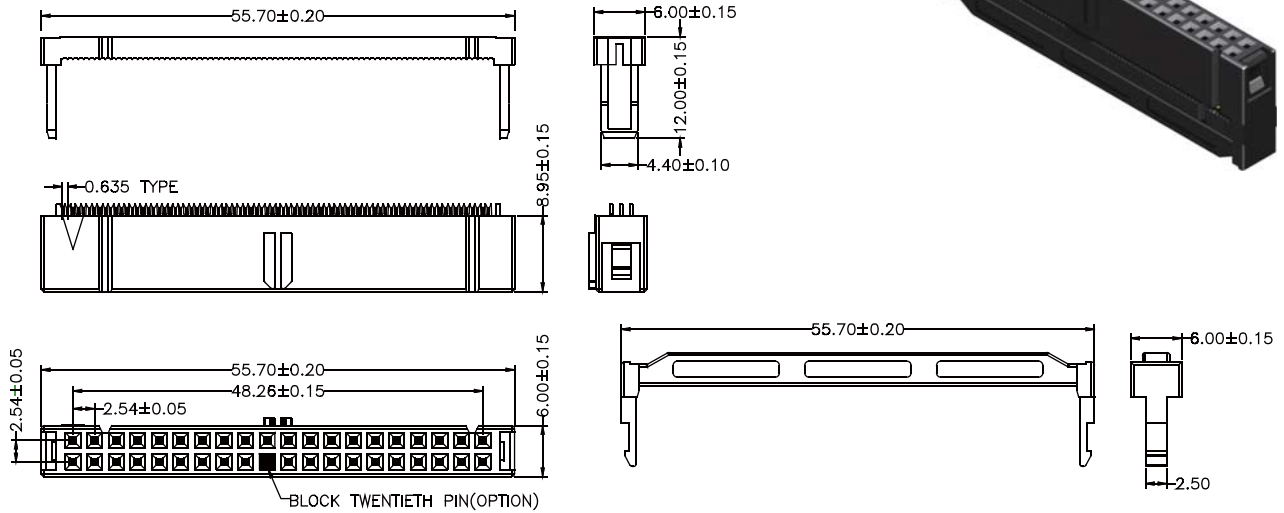




IDC Socket 2.54mm ATA Connector With SR

Specifications
 Current Rate: 2.5AMP
 Insulation Resistance: 1000MΩ Min
 Contact Resistance: 20mΩ Max
 Dielectric Voltage: 1000V AC for one minute
 Operation Temperature: -55°C to +105°C

Material
 Insulator: Polyester, UL 94V-0
 Standard: PBT
 Terminal: Copper Alloy

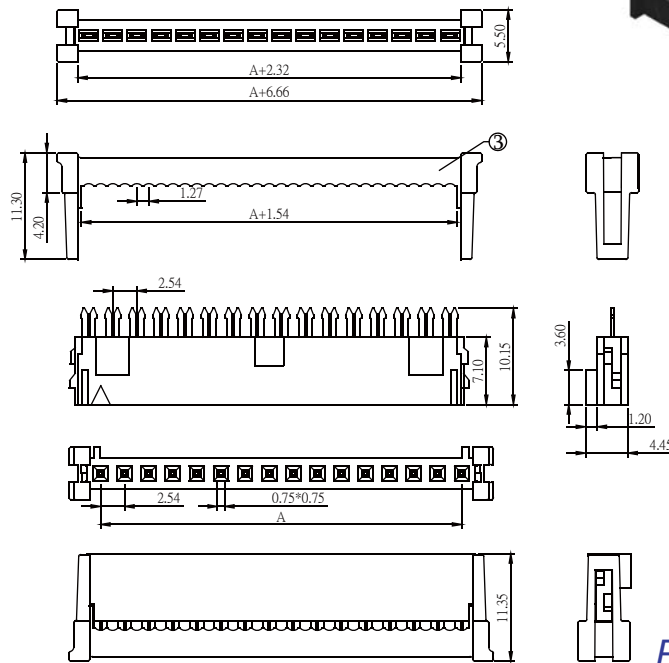


Part No.: IDC1C-80-L

IDC Socket 2.54mm With SR

Specifications
 Current Rate: 3 AMP
 Insulation Resistance: 1000MΩ Min
 Contact Resistance: 20mΩ Max
 Dielectric Voltage: 500V AC for one minute
 Operation Temperature: -40°C to +105°C

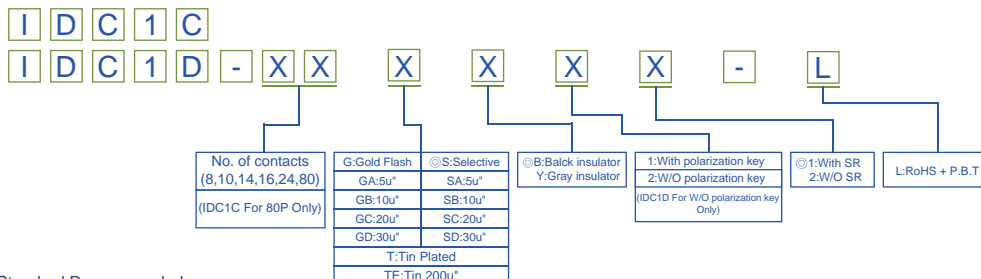
Material
 Insulator: Polyester, UL 94V-0
 Standard: PBT
 Terminal: Copper Alloy



No. of Contacts	Dim. A
8P	17.78
10P	22.86
14P	33.02
16P	38.10
24P	58.42

Part No.: IDC1D-XX-L

ORDER INFORMATION



©: Standard Recommended

DC Socket

ROHS

CONNECTOR MANUFACTURER