

# THROUGH-HOLE AXIAL CONFORMAL MOLDED INDUCTORS

## LTM 0511 SERIES

### FEATURES:

- Ferrite Core
- Wire-wound construction
- Heat resistant epoxy molded resin
- High reliability, Ideal for automatic insertion
- Small size, Low Cost

### OPTIONS:

- Packaging: Tape & Reel is Standard (Qty: 1000 pcs)
- Bulk packaging available for smaller quantities
- Tolerance: 10% is standard, tighter tolerances available.

### COMMON APPLICATIONS:

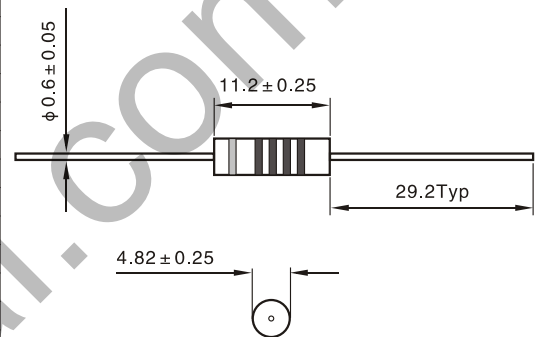
- VCRs, PDP, LCD, TV set
- Automotive Systems
- Computer Peripheral Equipment
- GPS, DC/DC convertor, XDSL Modem
- Electronic Games
- Mobile Communications Equipment
- General Electronic Applications

### STANDARD SPECIFICATIONS

Part Number	L (μH)	L Test Freq (MHz)	Q (Min)	Qtest Freq (MHz)	SRF (MHz)	DCR (Ω Max)	IDC (mA Max)
LTM0511-R15M	0.15	25	50	25	510	0.03	3050
LTM0511-R22M	0.22	25	50	25	415	0.035	2800
LTM0511-R33M	0.33	25	50	25	350	0.065	2000
LTM0511-R47M	0.47	25	50	25	300	0.085	1700
LTM0511-R56M	0.56	25	50	25	270	0.125	1450
LTM0511-R68M	0.68	25	45	25	250	0.15	1300
LTM0511-R82M	0.82	25	40	25	210	0.21	1100
LTM0511-1R0K	1.00	25	40	25	200	0.29	930
LTM0511-1R2K	1.20	7.9	30	7.9	180	0.40	785
LTM0511-1R5K	1.50	7.9	30	7.9	170	0.49	700
LTM0511-1R8K	1.80	7.9	30	7.9	150	0.74	550
LTM0511-2R2K	2.20	7.9	30	7.9	140	0.97	505
LTM0511-2R7K	2.70	7.9	30	7.9	120	1.2	460
LTM0511-3R3K	3.30	7.9	30	7.9	70	0.14	990
LTM0511-3R9K	3.90	7.9	30	7.9	65	0.155	870
LTM0511-4R7K	4.70	7.9	30	7.9	60	0.21	745
LTM0511-5R6K	5.60	7.9	30	7.9	50	0.28	645
LTM0511-6R8K	6.80	7.9	30	7.9	50	0.375	560
LTM0511-8R2K	8.20	7.9	30	7.9	48	0.44	540
LTM0511-100K	10	7.9	50	7.9	42	0.61	440
LTM0511-120K	12	2.5	55	2.5	36	1.1	370
LTM0511-150K	15	2.5	60	2.5	30	1.2	310
LTM0511-180K	18	2.5	60	2.5	30	2.0	255
LTM0511-220K	22	2.5	65	2.5	24	2.2	240
LTM0511-270K	27	2.5	55	2.5	22	2.8	205
LTM0511-330K	33	2.5	55	2.5	18	2.3	300
LTM0511-390K	39	2.5	55	2.5	16	2.5	285
LTM0511-470K	47	2.5	55	2.5	14	3.4	245
LTM0511-560K	56	2.5	55	2.5	14	4.1	225
LTM0511-680K	68	2.5	55	2.5	11	4.2	220
LTM0511-820K	82	2.5	55	2.5	9.3	4.4	215
LTM0511-101K	100	0.79	45	0.79	8.5	4.9	205
LTM0511-121K	120	0.79	60	0.79	7.3	5.4	195
LTM0511-151K	150	0.79	60	0.79	6.2	6.2	180
LTM0511-181K	180	0.79	60	0.79	5.7	7.1	170
LTM0511-221K	220	0.79	60	0.79	5.2	7.9	160
LTM0511-271K	270	0.79	65	0.79	5.6	8.2	110
LTM0511-331K	330	0.79	65	0.79	5.0	9.1	105
LTM0511-391K	390	0.79	65	0.79	4.5	10.0	100
LTM0511-471K	470	0.79	65	0.79	4.0	11.1	95
LTM0511-561K	560	0.79	65	0.79	3.8	12.3	91
LTM0511-681K	680	0.79	60	0.79	3.4	13.7	85
LTM0511-821K	820	0.79	60	0.79	3.1	15.1	81
LTM0511-102K	100	0.79	60	0.79	2.8	16.5	78

Note: 1. K = ± 10%, M = ± 20%

### PHYSICAL CHARACTERISTICS



DIMENSIONS in mm

### Electrical Schematic



### TECHNICAL INFORMATION:

- Inductance Testing: HP4284A, HP4285A or equivalent
- RDC: QuadTech 1880 Milliohm meter
- Q- HP4342A
- SRF-HP4191A or HP4194A
- Rated Current L value drop 10% typ. at I<sub>DC</sub> against its initial value
- Temperature rise 40°C Max Reference ambient temperature
- Solderability: 75% of the lead wire shall be covered
- Soldering Methods: Wave, Reflow
- Operating Temperature: -25°C to +85°C
- Storage Temperature: -55°C to +125°C
- Terminal bending strength: 24.5N Min
- Moisture resistance: ΔL/L ≤ ± 10% ΔQ/Q ≤ ± 25%

Note: All specifications subject to change without notice.