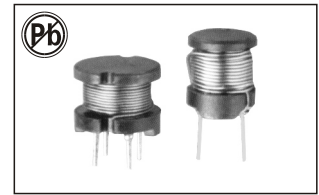


THROUGH-HOLE RADIAL POWER CHOKES

LCH4W SERIES

1006,1008,1010,1014



FEATURES:

- Wire-wound Structure
- Excellent heat resistance
- Excellent environmental characteristics
- High reliability

OPTIONS:

- Packaging: Bulk is standard
- Tolerance: 10% is standard, tighter tolerances available

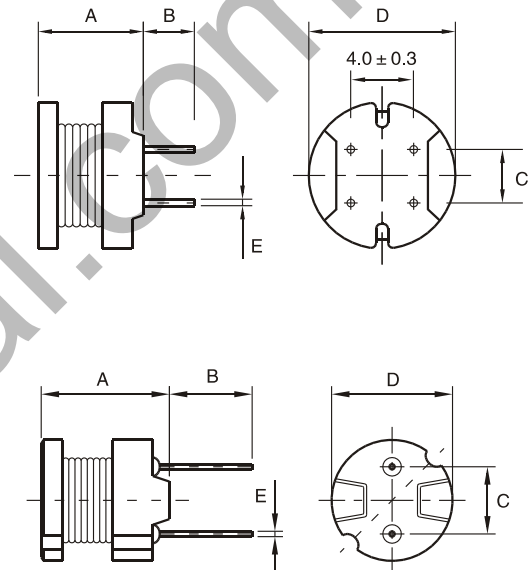
COMMON APPLICATIONS:

- Power Supplies
- SCR and TRIAC Controls
- RFI Suppression
- Filters
- Switching Regulators

ELECTRICAL CHARACTERISTICS:

Part number LCHB-xxxx-	Inductance (μ H)	DC R(Ω)Max.				IDC(A)			
		1006	1008	1010	1014	1006	1008	1010	1014
6R3M	6.3				0.260				4.30
7R5M	7.5				0.290				4.20
100M	10	0.040	0.027	0.022	0.033	3.60	4.50	5.30	4.00
120M	12	0.044	0.031	0.023	0.035	3.30	4.10	4.90	3.90
150M	15	0.058	0.035	0.026	0.039	2.90	3.70	4.40	3.70
180M	18	0.064	0.049	0.033	0.047	2.70	3.40	4.00	3.50
220M	22	0.088	0.055	0.037	0.051	2.40	3.10	3.60	3.30
270M	27	0.100	0.062	0.048	0.057	2.20	2.80	3.30	3.10
330M	33	0.110	0.079	0.055	0.064	2.00	2.50	2.90	2.90
390M	39	0.140	0.087	0.073	0.074	1.80	2.30	2.70	2.70
470M	47	0.160	0.099	0.083	0.083	1.70	2.10	2.50	2.50
560M	56	0.190	0.130	0.092	0.104	1.50	1.90	2.30	2.30
680M	68	0.220	0.140	0.120	0.117	1.40	1.70	2.10	2.10
820M	82	0.290	0.160	0.140	0.130	1.30	1.60	1.90	1.90
101K	100	0.320	0.210	0.160	0.143	1.30	1.40	1.70	1.70
121K	120	0.380	0.240	0.200	0.195	1.20	1.30	1.50	1.50
151K	150	0.500	0.320	0.230	0.221	1.00	1.20	1.40	1.40
181K	180	0.560	0.350	0.310	0.260	0.84	1.10	1.30	1.30
221K	220	0.780	0.450	0.340	0.350	0.76	0.96	1.10	1.20
271K	270	0.920	0.610	0.400	0.390	0.69	0.87	1.00	1.10
331K	330	1.10	0.690	0.520	0.520	0.62	0.79	0.93	1.00
391K	390	1.30	0.780	0.650	0.570	0.57	0.72	0.86	0.92
471K	470	1.50	1.00	0.710	0.650	0.52	0.66	0.78	0.84
561K	560	1.90	1.20	1.00	0.790	0.48	0.60	0.71	0.75
681K	680	2.20	1.40	1.10	0.960	0.43	0.55	0.65	0.69
821K	820	2.60	1.80	1.30	1.22	0.40	0.50	0.59	0.62
102K	1000	3.20	2.10	1.70	1.60	0.36	0.45	0.53	0.52
122K	1200				2.20				0.46
152K	1500				2.50				0.41
182K	1800				2.90				0.36
222K	2200				3.20				0.32
272K	2700				3.70				0.29
332K	3300				5.00				0.27
392K	3900				5.60				0.25
472K	4700				7.40				0.23
562K	5600				8.20				0.21
682K	6800				11.9				0.19
822K	8200				14.0				0.17
103K	10000				16.0				0.16
123K	12000				21.0				0.15
153K	15000				24.0				0.14
183K	18000				27.0				0.13
223K	22000				34.0				0.12
273K	27000				39.0				0.11
333K	33000				51.0				0.10
393K	39000				58.0				0.09

PHYSICAL CHARACTERISTICS:



Dimension: mm

Part Number	A	B	C	D	E
LCH4W1006	6.5Max	3.5 ± 1.0	5.0 ± 0.3	10.5Max	0.7
LCH4W1008	8.5Max	3.5 ± 1.0	5.0 ± 0.3	10.5Max	0.7
LCH4W1010	10.5Max	3.5 ± 1.0	5.0 ± 0.3	10.5Max	0.7
LCH 1014	14.4Max	5.0 ± 1.0	5.0 ± 0.3	10.5Max	0.7
LCH4W1014	14.4Max	5.0 ± 1.0	5.0 ± 0.3	10.5Max	0.7

TECHNICAL INFORMATION:

Testing: LCR Bridge measured @ 1KHz
(Equivalent acceptable)

RDC: QuadTech 1880 Milliohm meter

IDC Max: Lowers inductance by 10%

Operating temperature: -55°C to +125°C

Marking: Inductance and tolerance

Note: All specifications subject to change without notice.