

SURFACE-MOUNT WIRE-WOUND CERAMIC CHIP INDUCTORS

AISC-0603 SERIES

FEATURES:

- Ceramic Core
- High frequency design
- Excellent Q values
- Excellent SRF
- High reliability
- Excellent thermal stability

OPTIONS:

- Packaging: Tape & Reel is standard (Qty: 3000pcs)
- Bulk packaging available for smaller quantities
- Tolerance: 10% and 5% is standard, tighter tolerances available

COMMON APPLICATIONS:

- Modems
- Mobile Radios
- Cordless Telephones
- Global Positioning Systems
- Telecommunications Systems

ELECTRICAL CHARACTERISTICS:

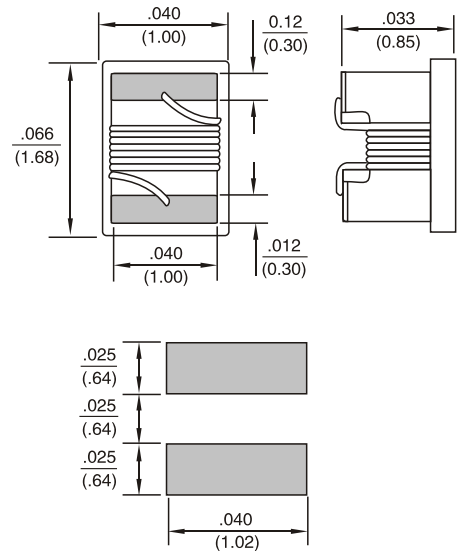
Part Number	L (μH)	Tol %	Q Min	Test Freq MHz	SRF MHz Min	DCR Ω Max	IDC Max mA
AISC-0603-0016K	.0016	± 10	24	250	12500	0.030	700
AISC-0603-0018K	.0018	± 10	16	250	12500	0.045	700
AISC-0603-0036K	.0036	± 10	22	250	5900	0.075	700
AISC-0603-0039K	.0039	± 10	22	250	6900	0.080	700
AISC-0603-0043K	.0043	± 10	22	250	5900	0.075	700
AISC-0603-0047K	.0047	± 10	20	250	5800	0.116	700
AISC-0603-0051K	.0051	± 10	20	250	5700	0.120	700
AISC-0603-0068K	.0068	± 10	27	250	5800	0.110	700
AISC-0603-0075K	.0075	± 10	28	250	4800	0.110	700
AISC-0603-0087K	.0087	± 10	28	250	4600	0.120	700
AISC-0603-0095K	.0095	± 10	28	250	5400	0.135	700
AISC-0603-010J	0.010	± 5	31	250	4800	0.130	700
AISC-0603-011J	0.011	± 5	33	250	4000	0.130	700
AISC-0603-012J	0.012	± 5	35	250	4000	0.130	700
AISC-0603-015J	0.015	± 5	35	250	4000	0.150	700
AISC-0603-016J	0.016	± 5	34	250	3300	0.160	700
AISC-0603-018J	0.018	± 5	35	250	3100	0.170	700
AISC-0603-022J	0.022	± 5	38	250	3000	0.190	700
AISC-0603-024J	0.024	± 5	37	250	2650	0.200	700
AISC-0603-027J	0.027	± 5	40	250	2800	0.220	600
AISC-0603-030J	0.030	± 5	37	250	2250	0.220	600
AISC-0603-033J	0.033	± 5	40	250	2300	0.220	600
AISC-0603-036J	0.036	± 5	38	250	2080	0.250	600
AISC-0603-039J	0.039	± 5	40	250	2200	0.250	600
AISC-0603-043J	0.043	± 5	39	250	2000	0.280	600
AISC-0603-047J	0.047	± 5	38	200	2000	0.280	600
AISC-0603-056J	0.056	± 5	38	200	1900	0.280	600
AISC-0603-068J	0.068	± 5	37	200	1700	0.340	400
AISC-0603-072J	0.072	± 5	34	150	1700	0.380	400
AISC-0603-082J	0.082	± 5	34	150	1700	0.480	400
AISC-0603-R10J	0.10	± 5	34	150	1400	0.580	400
AISC-0603-R11J	0.11	± 5	32	150	1350	0.610	300
AISC-0603-R12J	0.12	± 5	32	150	1300	0.650	300
AISC-0603-R15J	0.15	± 5	28	150	990	0.750	280
AISC-0603-R18K	0.18	± 10	25	100	990	1.050	240
AISC-0603-R22K	0.22	± 10	25	100	900	1.200	200
AISC-0603-R27K	0.27	± 10	24	100	900	1.400	170
AISC-0603-R33K	0.33	± 10	24	100	850	1.600	160
AISC-0603-R39K	0.39	± 10	24	100	800	2.200	150

Note: 1. K= ± 10%, M= ± 20%, N= ± 30%

TECHNICAL INFORMATION:

- Testing: (Equivalent acceptable)
Inductance: HP4191A
Q: HP4291A
SRF: HP8753B
RDC: measured @ 25°C
- Operating Temperature:
Ceramic: -55°C to +125°C
- Pad metalization: Tungsten-nickel with gold flash
- Solder methods: Wave, Reflow, Vapor Phase
- Solderability: Max 260°C for 10 seconds
- Marking: EIA color code

PHYSICAL CHARACTERISTICS:



Dimensions: Inches (mm)