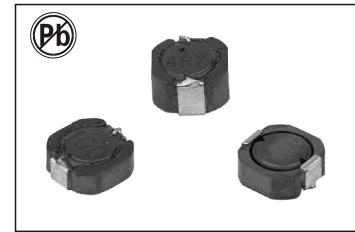


SHIELDED SURFACE-MOUNT POWER INDUCTORS

SDR63LCB-63CB SERIES



FEATURES:

- Magnetically Shielded Structure
- Low DC Resistance
- Large current up to 3.59A
- Excellent Mechanical Strength
- High Reliability and Excellent Solderability
- Low and square Profile
- High heat resistance

OPTIONS:

- Packaging: Tape & Reel is standard (Qty: 2000 pcs)
- Bulk packaging available for smaller quantities
- Tolerance: 10% and 5% is standard, tighter tolerances available

COMMON APPLICATIONS:

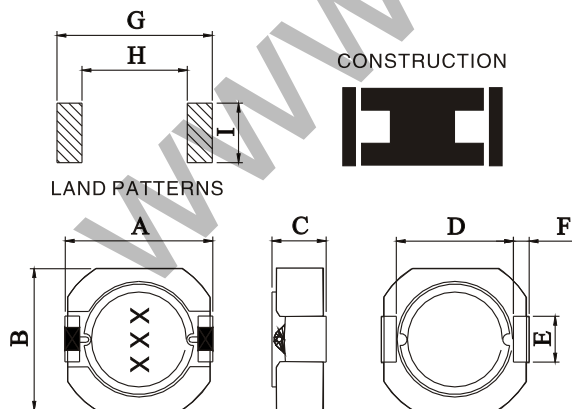
- VCRs, Notebook, DC/DC Converters
- Video Digital Cameras
- Communication System
- Automotive Systems Power supplier
- LCD PDP Televisions
- Hard Disk Drives, Topset, XDSL
- Network Systems
- Computer Peripheral Equipment

ELECTRICAL CHARACTERISTICS:

Part Number	L (μH)	Test Freq (kHz)	DCR Ω Max	IDC Max A	Part Number	L (μH)	Test Freq (kHz)	DCR Ω Max	IDC Max A
SDR63LCB-1R0M	1.0	100	0.013	3.59	SDR63CB-2R0M	2.0	100	0.022	3.00
SDR63LCB-1R5M	1.5	100	0.018	2.93	SDR63CB-2R7M	2.7	100	0.024	2.69
SDR63LCB-2R2M	2.2	100	0.021	2.42	SDR63CB-3R3M	3.3	100	0.027	2.57
SDR63LCB-3R3M	3.3	100	0.027	1.89	SDR63CB-4R7M	4.7	100	0.036	2.08
SDR63LCB-4R7M	4.7	100	0.039	1.66	SDR63CB-6R8M	6.8	100	0.046	1.84
SDR63LCB-6R2M	6.2	100	0.053	1.45	SDR63CB-8R2M	8.2	100	0.052	1.54
SDR63LCB-100M	10	100	0.079	1.14	SDR63CB-100M	10	100	0.059	1.49
SDR63LCB-120M	12	100	0.094	1.04	SDR63CB-120M	12	100	0.070	1.28
SDR63LCB-150M	15	100	0.115	0.93	SDR63CB-150M	15	100	0.091	1.10
SDR63LCB-180M	18	100	0.130	0.85	SDR63CB-180M	18	100	0.104	1.05
SDR63LCB-220M	22	100	0.145	0.77	SDR63CB-220M	22	100	0.148	0.97
SDR63LCB-270M	27	100	0.157	0.70	SDR63CB-270M	27	100	0.158	0.82
SDR63LCB-330M	33	100	0.211	0.63	SDR63CB-330M	33	100	0.173	0.76
SDR63LCB-390M	39	100	0.233	0.58	SDR63CB-390M	39	100	0.205	0.70
SDR63LCB-470M	47	100	0.276	0.53	SDR63CB-470M	47	100	0.226	0.68
SDR63LCB-560M	56	100	0.308	0.48	SDR63CB-560M	56	100	0.275	0.60
SDR63LCB-680M	68	100	0.330	0.44	SDR63CB-680M	68	100	0.321	0.56
SDR63LCB-820M	82	100	0.445	0.40	SDR63CB-820M	82	100	0.369	0.47
SDR63LCB-101K	100	100	0.540	0.36	SDR63CB-101K	100	100	0.495	0.45
SDR63LCB-151K	150	100	0.700	0.31	SDR63CB-151K	150	100	0.640	0.37

Note: 1. K = ± 10%, M = ± 20%, N = ± 30%

PHYSICAL CHARACTERISTICS:



DIMENSIONS IN: mm

Part number	A	B	C	D	E	F	G	H	I
SDR63LCB	6.3Max	6.2Max	3.0Max	4.8	2.0	0.6	6.6	4.6	2.6
SDR63CB	6.3Max	6.2Max	3.5Max	4.8	2.0	0.6	6.6	4.6	2.6

TECHNICAL INFORMATION:

- Inductance Testing: HP4284A, HP4285A or equivalent
- RDC: QuadTech 1880 Milliohm meter
- Q- HP4342A
- SRF-HP4191A or HP4194A
- Rated Current L value drop 10% typ. at I_{DC} against its initial value
- Temperature rise 40°C Max Reference ambient temperature
- Solderability: 75% of the lead wire Shall be covered
- Soldering Methods: Wave, Reflow
- Operating Temperature: -25°C to +85°C
- Storage Temperature: -55°C to +125°C
- Terminal bending strength: 24.5N Min
- Moisture resistance:
 - ΔL/L ≤ ± 10%
 - ΔQ/Q ≤ ± 25%

Note: All specifications subject to change without notice.