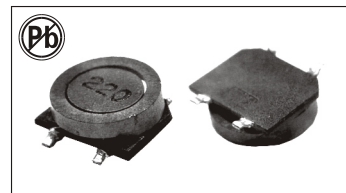


SURFACE-MOUNT WIRE WOUND DUAL CHIP INDUCTORS

SDRH SERIES

0602D, 1205D



FEATURES:

- Higher Frequency
- High Saturation Material
- Low EMI Radiation
- Pick and Place
- Low DC Resistance

OPTIONS:

- Packaging: Tape & Reel is standard (Qty: 2000 pcs)
- Bulk packaging available for smaller quantities
- Tolerance: 10% and 5% is standard, tighter tolerances available

COMMON APPLICATIONS:

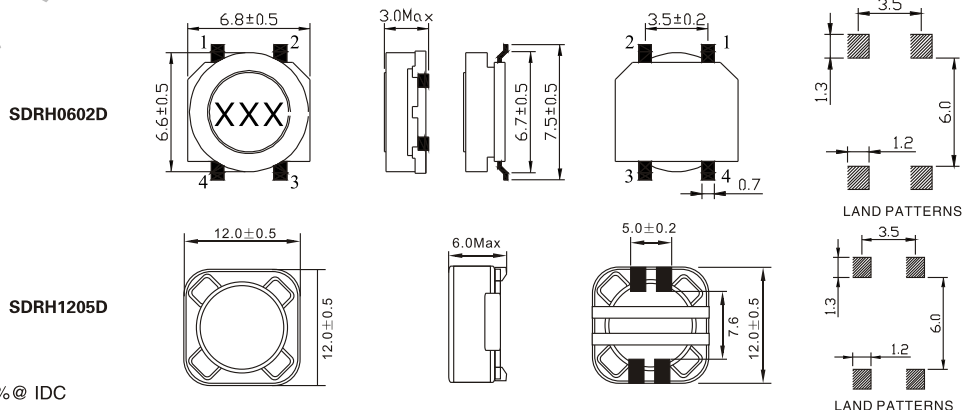
- Electronic Appliances
- DC - DC Conversion (Paraller Mode)
- Isolation/Coupling (Transformer)
- Input Filter (Serial Mode)
- EMI/RFI Suppression

ELECTRICAL CHARACTERISTICS:

Part Number	L μ H 1KHz	DCR (Ω) Max	IDC (mA) Max	Circuit Fig	Part Number	L μ H 1KHz	DCR (Ω) Max	IDC (A) Max	Circuit Fig
SDRH 0602D-100M	10	0.200	700	2	SDRH 1205D-100M	10	0.025	4.00	2
SDRH 0602D-120M	12	0.220	616	2	SDRH 1205D-120M	12	0.027	3.50	2
SDRH 0602D-150M	15	0.291	572	2	SDRH 1205D-150M	15	0.030	3.30	2
SDRH 0602D-180M	18	0.307	524	2	SDRH 1205D-180M	18	0.030	3.00	2
SDRH 0602D-220M	22	0.355	468	2	SDRH 1205D-220M	22	0.036	2.80	2
SDRH 0602D-270M	27	0.412	432	1	SDRH 1205D-270M	27	0.051	2.30	2
SDRH 0602D-330M	33	0.456	392	1	SDRH 1205D-330M	33	0.057	2.10	2
SDRH 0602D-390M	39	0.580	372	1	SDRH 1205D-390M	39	0.068	2.00	2
SDRH 0602D-470M	47	0.671	340	1	SDRH 1205D-470M	47	0.075	1.80	2
SDRH 0602D-560M	56	0.735	284	1	SDRH 1205D-560M	56	0.11	1.70	2
SDRH 0602D-680M	68	0.981	276	1	SDRH 1205D-680M	68	0.12	1.50	2
SDRH 0602D-820M	82	1.11	256	1	SDRH 1205D-820M	82	0.14	1.40	2
SDRH 0602D-101M	100	1.25	228	1	SDRH 1205D-101M	100	0.16	1.30	2
SDRH 0602D-121M	120	1.40	208	1	SDRH 1205D-121M	120	0.17	1.10	2
SDRH 0602D-151M	150	1.85	188	1	SDRH 1205D-151M	150	0.23	1.00	2
SDRH 0602D-181M	180	2.11	168	1	SDRH 1205D-181M	180	0.29	0.90	2
SDRH 0602D-221M	220	2.54	160	1	SDRH 1205D-221M	220	0.40	0.80	2
SDRH 0602D-271M	270	4.13	144	2	SDRH 1205D-271M	270	0.46	0.75	2
SDRH 0602D-331M	330	4.35	128	2	SDRH 1205D-331M	330	0.51	0.68	2
SDRH 0602D-391M	390	4.86	120	2	SDRH 1205D-391M	390	0.69	0.65	2
SDRH 0602D-471M	470	6.64	104	1	SDRH 1205D-471M	470	0.77	0.58	2
SDRH 0602D-561M	560	7.25	96	1	SDRH 1205D-561M	560	0.86	0.54	2
SDRH 0602D-681M	680	8.18	88	1	SDRH 1205D-681M	680	1.20	0.48	2
SDRH 0602D-821M	820	9.68	80	1	SDRH 1205D-821M	820	1.34	0.43	2
SDRH 0602D-102M	1000	15.4	72	1	SDRH 1205D-102M	1000	1.53	0.40	2

Note: 1. K= \pm 10%, M= \pm 20%, N= \pm 30%

TECHNICAL INFORMATION & PHYSICAL CHARACTERISTICS:



- Testing: (Equivalent acceptable)
- Inductance: Reduced by 10% to 20% @ IDC
- RDC: QuadTech 1880 Milliohmmeter
- IDC Max: Lowers inductance by 10-20%
- Temperature range: -55°C to +125°C

Note: All specifications subject to change without notice.

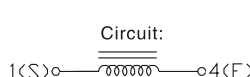


Fig.1

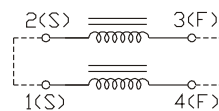


Fig.2

DIMENSIONS IN:mm