

Sealed SMT Tact switches

INT-1162J Series

6.2×6.2mm, Sealed with Rubber stem, Surface mount type



- **Features :** Rubber stem provides soft feeling
- **Applications :** PC & Peripherals, Car AV equipments, Automobile, Communications devices
- **Specifications :**

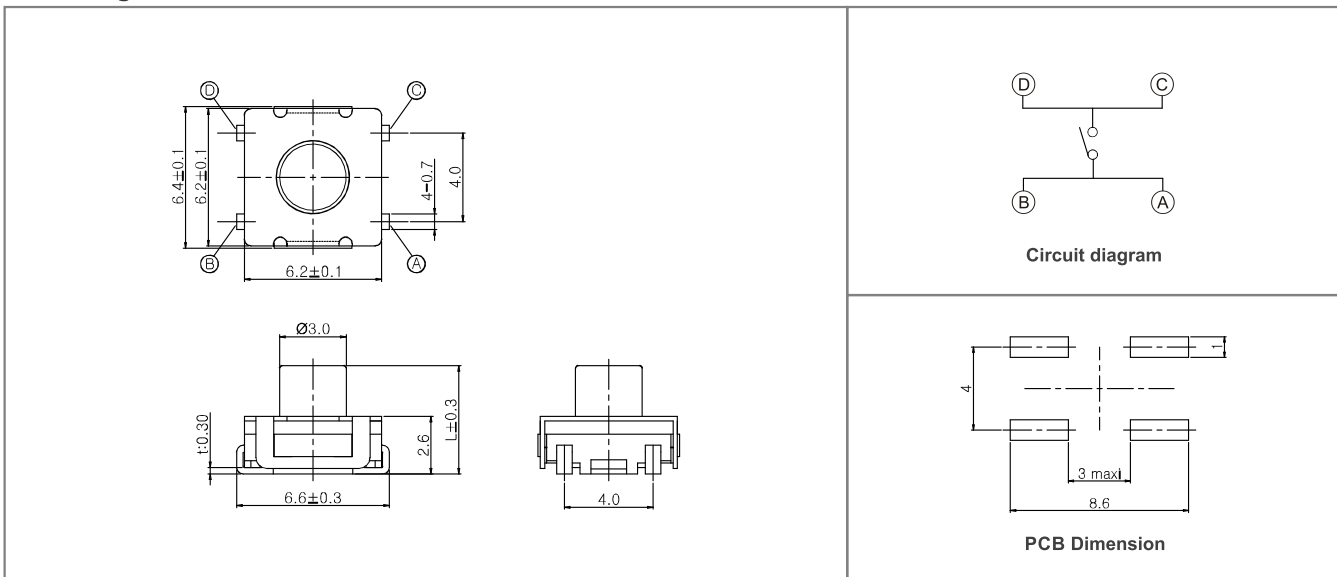
Rating	DC 12V 50mA
Contact resistance	100mΩ Max.
Travel (mm)	0.4+0.2/-0.1

► Part list

Part No.	Length (mm)	Operating force	Life	QTY per pack (Tape & reel)	
INT-1162J26A	2.6	200±100gf	100,000 Cycles Min.	1.6K	
INT-1162J34A	3.4				
INT-1162J38A	3.8				
INT-1162J43A	4.3				
INT-1162J45A	4.5				
INT-1162J49A	4.9				
INT-1162J51A	5.1				
INT-1162J55A	5.5				
INT-1162J26B	2.6	300±100gf		100,000 Cycles Min.	1.6K
INT-1162J34B	3.4				
INT-1162J38B	3.8				
INT-1162J43B	4.3				
INT-1162J45B	4.5				
INT-1162J49B	4.9				
INT-1162J51B	5.1				
INT-1162J55B	5.5				

* Long life (1KK cycles) is available and part numbers in long life change to INT-1162J26AL~INT-1162J55AL

► Drawing



TACT Switches
PUSH Switches
HOOK Switches
DETECTOR Switches
SLIDE Switches
ROTARY Potentiometers
LEVER Switches
ROTARY Switches
CAPS