

LED switches

INT-1193J Series 6.8×6.8mm, Surface mount type, Without cap & lens



- ▶ **Features** : LED illuminated
- ▶ **Applications** : Communication devices, Measuring instruments, Cameras
- ▶ **Specifications** :

Rating	DC 12V 50mA
Contact resistance	100mΩ Max.
Travel (mm)	0.25±0.2/-0.1

▶ **Part list**

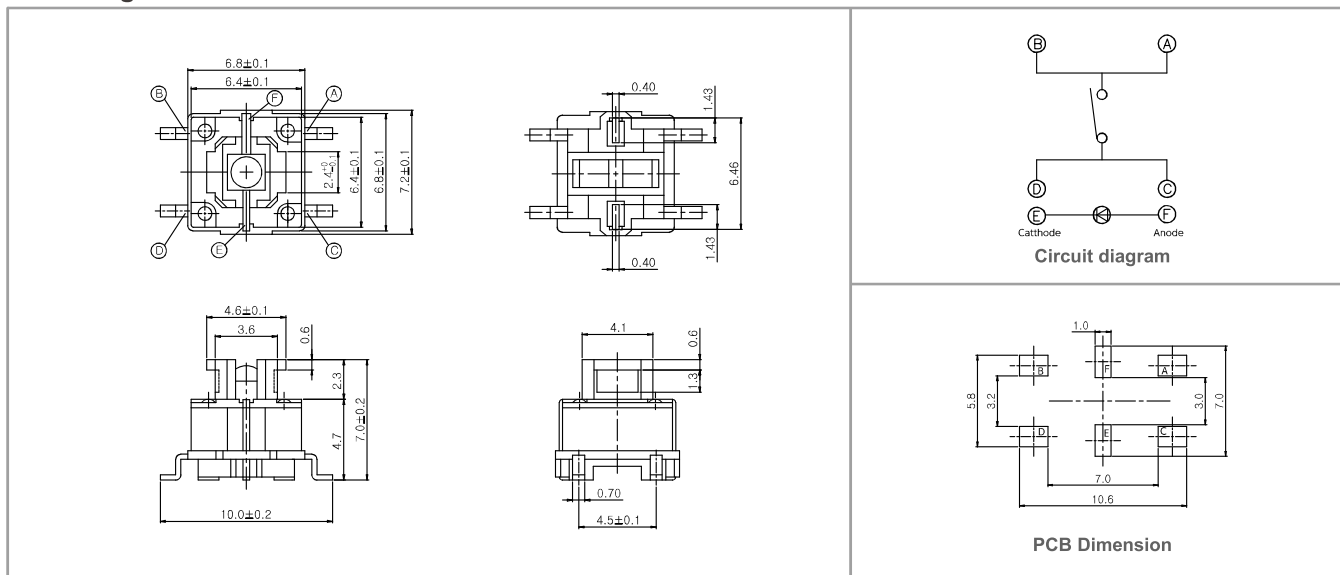
Part No.	Length (mm)	LED Color	Operating force	Life	QTY per pack (Tape & reel)
INT-1193J70BAL	7.0	Blue	160±50gf	100,000 Cycles Min.	750
INT-1193J70GAL		Green			
INT-1193J70RAL		Red			
INT-1193J70WAL		White			
INT-1193J70YAL		Yellow			

▶ **LED Specifications**

Color	Power dissipation (mW)	Peak forward current (mA)	Continuous forward current (mA)	Reverse voltage (V)	Luminous intensity IV (mcd) IF=20mA	Viewing angle 2 θ 1/2 (degree) IF=20mA	Peak emission wave length λP(nm) IF=20mA	Spectral line half width Δλ(nm) IF=20mA	Forward voltage VF(V) IF=20mA	Reverse voltage IR(μA) VR=5V
BLUE	108	125	30	5	630 Min. 1200 Typ.	20 Typ.	460 Typ.	25 Typ.	3.7 Max. 3.1 Typ.	10 Max.
GREEN	108	125	30	5	4000 Min. 7500 Typ.	20 Typ.	520 Typ.	35 Typ.	3.6 Max. 3.1 Typ.	10 Max.
RED	75	125	30	5	120 Min. 280 Typ.	20 Typ.	660 Typ.	22 Typ.	2.5 Max. 1.9 Typ.	10 Max.
YELLOW	75	125	30	5	700 Min. 1200 Typ.	20 Typ.	572 Typ.	20 Typ.	2.5 Max. 2.0 Typ.	10 Max.

Color	Power dissipation (mW)	Peak forward current (mA)	Continuous forward current (mA)	Reverse voltage (V)	Luminous intensity IV (mcd) IF=5mA	Viewing angle at 50% IV 2 θ 1/2 (degree) IF=10mA	CIE Coordinates IF=5mA	Forward voltage VF(V) IF=5mA	Reverse voltage IR(μA) VR=5V
WHITE	99	125	30	5	32 Min. 40 Typ.	165	X= 0.27 Typ. Y= 0.27 Typ.	3.3 Max. 2.8 Typ.	10 Max.

▶ **Drawing**



TACT Switches
PUSH Switches
HOOK Switches
DETECTOR Switches
SLIDE Switches
ROTARY Potentiometers
LEVER Switches
ROTARY Switches
CAPS