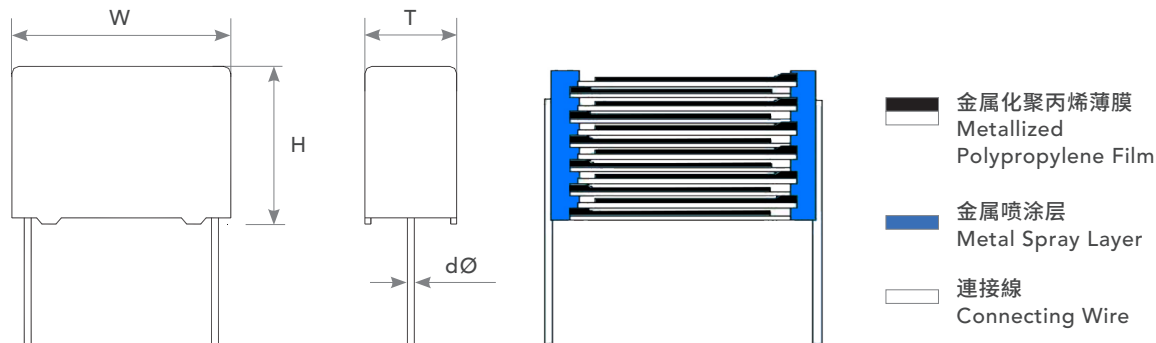


【干扰抑制电容器】X2 电容 (MKP-THB)

INTERFERENCE SUPPRESSION CAPACITOR / X2 CAPACITOR (MKP-THB) THB-1000H-305VAC

MKP-X2
THB

THB-版-防潮 (THB-Version-Temperature Humidity Bias)



结构 Construction:

- 电介质: 金属化聚丙烯薄膜
Dielectric: Metallized Polypropylene Film
- 绕卷: 无感式
Winding: non-inductive type
- 导线: 镀锡线
Leads: Tinned wire
- 外层: 阻燃塑胶外壳, 环氧树脂填充
Outer Coating: Flame retarding plastic case and epoxy filled

特点 Feature:

- 在高环境温度和高湿度等恶劣环境条件下具有优异的长期稳定性
Excellent long term-stability under tough environmental conditions – such as high ambient temperatures and high humidity
- 良好的自愈性
Self-healing properties
- 符合UL、CUL、ENEC、CQC安规电容
In accordance with UL, CUL, ENEC, CQC safety regulations
- X2类
Class X2

推荐应用 Recommended Application:

- 对长期稳定性要求很高的所有应用, 如: 功率表
All applications with high demand on excellent long term-stability, such as: Power Meters
- 电容式电源应用
Capacitive Power Supply applications
- 户外应用
Outdoor applications
- 恶劣环境条件下
For severe ambient conditions
- 用于与电源串联
For connection in series with the mains
- 跨线
Across the line
- EMI滤波器
EMI filter

电气特性 Electrical Characteristics:





引用标准 Related Documents	UL 60384-14:2014, CAN/CSA-E60384-14:2014, IEC60384-14:2013, EN60384-14:2013, GB/T 6346.14-2015	
额定电压 Rated Voltage	305VAC (ENEC, CQC), 310VAC (UL, CUL)	
额定温度 Rated Temperature	-40°C ~ +110°C	
容量范围 Capacitance Range	0.047μF ~ 10.0μF	
损耗角正切 Dissipation Factor	0.1% or less. at 1Khz, 20±5°C	
绝缘电阻 Insulation Resistance	Terminal to Terminal: ≥ 15000MΩ at DC 100V (C ≤ 0.33μF) ≥ 5000MΩ × μF at DC 100V (C > 0.33μF)	Terminal to Enclosure: ≥ 30000MΩ at DC 100V ≥ 500MΩ at DC 500V

<p>耐压 Withstand Voltage</p>	<p>[Between terminal] : Nothing abnormal shall be found, when a voltage specified below is applied 1500VDC for 3 sec. [Between terminal and enclosure] : Nothing abnormal shall be found when apply a voltage of 2050VAC for 1 minute.</p>				
<p>额定电压 脉冲斜率 dV/dt (V/μs) Rated Voltage Pulse Slope dV/dt (V/μs)</p>	<p>Pitch V_R</p>	<p>15 mm</p>	<p>22.5 mm</p>	<p>27.5 mm</p>	<p>37.5 mm</p>
	<p>750VDC</p>	<p>300</p>	<p>180</p>	<p>120</p>	<p>100</p>
<p>气候类别 Climate Category</p>	<p>代碼字母G和數位元40 = 最低极限温度.... -40°C 代碼字母M和數位元110 = 最高极限温度.... +110°C 代碼字母F和數位元56 = 相对湿度的最大限值 [湿热试验天数.... 56天] 代碼字母B = 阻燃性類別 code letter G and number 40 = Minimum limit temperature.... -40°C code letter M and number 110 = Maximum limit temperature.... +110°C code letter F and number 56 = Maximum limit of Relative Humidity [The days of damp heat test....56 days] code letter B = Category of Passive flammability.</p>				

信赖性测试 Reliability Test:

测试方法 Test Method	要求 Requirements
<p>温度 Temperature: 85°C 相对湿度 Relative humidity: 85% 施加电压 Voltage applied: 305VAC 周期 Duration: 1000 hours</p>	<p>容量变化 Capacitance change $\Delta C/C$: $\leq 10\%$ $\Delta \tan \delta \leq 2.4\%$ at 10KHz, $C \leq 1\mu F$ $\Delta \tan \delta \leq 1.5\%$ at 1KHz, $C > 1\mu F$ 绝缘阻抗 Insulation Resistance: $\geq 50\%$ of spec value</p>

安全认证 Safety Approvals:

LOGO MARK	COUNTRY	APPROVAL STANDARD	APPROVAL NO.	CLASS	CAP. RANGE	RATED VOLTAGE
<p>UL </p>	<p>U.S.A</p>	<p>UL 60384-14:2014 CAN/CSA E60384-1/14:2014</p>	<p>20181116-E149075</p>	<p>X2</p>	<p>0.0047μF ~ 10.0μF</p>	<p>310VAC</p>
<p>CSA </p>	<p>CANADA</p>	<p>CAN/CSA E60384-1/14:09</p>	<p>2294211</p>	<p>X2</p>	<p>0.0047μF ~ 10.0μF</p>	<p>310VAC</p>
<p>CB TEST</p>	<p>EUROPE</p>	<p>IEC60384-14:2013</p>	<p>SE-93931</p>	<p>X2</p>	<p>0.0047μF ~ 10.0μF</p>	<p>310VAC</p>
<p>ENEC </p>	<p>EUROPE</p>	<p>EN60384-14:2013</p>	<p>SE/0252-5E</p>	<p>X2</p>	<p>0.0047μF ~ 10.0μF</p>	<p>310VAC</p>
<p>CQC </p>	<p>CHINA</p>	<p>GB/T 6346.14-2015</p>	<p>CQC09001029854</p>	<p>X2</p>	<p>0.0047μF ~ 10.0μF</p>	<p>310VAC</p>

Cap. (μF) | 标准单位 (Size unit): mm

R.V.	305 VAC					
Size Cap (μF)	W ±0.3	H ±0.3	T ±0.3	P	dØ ±0.05	料号 Part Number
0.047	18	12	6	15	0.8	MKP-473*0305AB*15*U
0.068	18	13	7	15	0.8	MKP-683*0305AB*15*U
0.1	18	13.5	7.5	15	0.8	MKP-104*0305AB*15*U
0.15	18	13.5	7.5	15	0.8	MKP-154*0305AB*15*U
0.22	18	15	9	15	0.8	MKP-224*0305AB*15*U
0.33	18	18	10	15	0.8	MKP-334*0305AB*15*U
0.47	18	19	12.5	15	0.8	MKP-474*0305AB*15*U
0.15	26	14.5	6	22.5	0.8	MKP-154*0305AB*22*U
0.22	26	15	7.5	22.5	0.8	MKP-224*0305AB*22*U
0.33	26	17	8	22.5	0.8	MKP-334*0305AB*22*U
0.47	26	19	10	22.5	0.8	MKP-474*0305AB*22*U
0.56	26	20	10	22.5	0.8	MKP-564*0305AB*22*U
0.68	26	20	11.5	22.5	0.8	MKP-684*0305AB*22*U
0.82	26	22	12	22.5	0.8	MKP-824*0305AB*22*U
1.0	26	24	13.5	22.5	0.8	MKP-105*0305AB*22*U

R.V.	305 VAC					
Size Cap (μF)	W ±0.3	H ±0.3	T ±0.3	P	dØ ±0.05	料号 Part Number
0.47	31	18	9	27.5	0.8	MKP-474*0305AB*27*U
0.56	31	20	10	27.5	0.8	MKP-564*0305AB*27*U
0.68	31	20	10	27.5	0.8	MKP-684*0305AB*27*U
0.82	31	21	11	27.5	0.8	MKP-824*0305AB*27*U
1.0	31	22	13	27.5	0.8	MKP-105*0305AB*27*U
1.5	31	24.5	15	27.5	0.8	MKP-155*0305AB*27*U
2.2	31	28	18	27.5	0.8	MKP-225*0305AB*27*U
3.3	41.5	30	18	37.5	1.0	MKP-335*0305AB*37*U
3.9	41.5	32	20	37.5	1.0	MKP-395*0305AB*37*U
4.7	41.5	35	21	37.5	1.0	MKP-475*0305AB*37*U
5.6	41.5	36	24	37.5	1.0	MKP-565*0305AB*37*U
6.8	41.5	39	26	37.5	1.0	MKP-685*0305AB*37*U
8.2	41.5	41	29	37.5	1.0	MKP-825*0305AB*37*U
10	41.5	45	32	37.5	1.0	MKP-106*0305AB*37*U