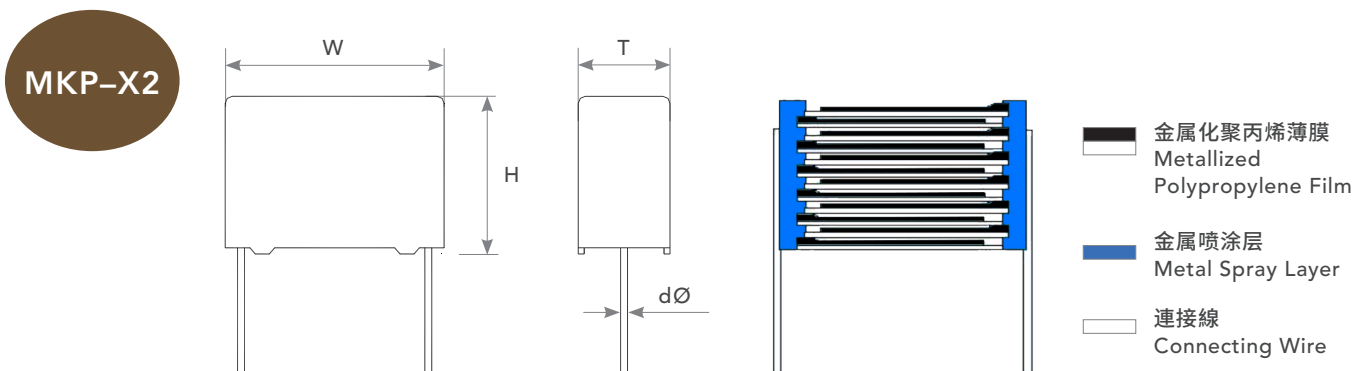


【干扰抑制电容器】X2电容 (小型化-MKP-X2)

INTERFERENCE SUPPRESSION CAPACITOR / X2 CAPACITOR (SMALL SIZE-MKP-X2)



结构 Construction:

- 电介质: 金属化聚丙烯薄膜
Dielectric: Metallized Polypropylene Film
- 绕卷: 无感式
Winding: non-inductive type
- 导线: 镀锡铜包钢线
Leads: Tinned copper clad-steel wire
- 外层: 阻燃塑胶外壳, 环氧树脂填充
Outer Coating: Flame retarding plastic case and epoxy filled

特点 Feature:

- 良好的自愈性
Self-healing properties
- 符合UL、CUL、ENEC、CQC安规电容
In accordance with UL, CUL, ENEC, CQC safety regulations
- X2类
Class X2
- 小型化
Small in size

推荐应用 Recommended Application:




- 干扰抑制器
Interference suppressors
- 电磁干扰滤波器
EMI filter
- 小功率适配器
Small power adaptor
- 室内环境使用
Indoor environmental use
- 不与主电源和工业电源串联使用
Not for use in series with the mains and industrial power supply

电气特性 Electrical Characteristics:

引用标准 Related Documents	UL 60384-14:2014, IEC60384-14:2013, EN60384-14:2013, GB/T 6346.14-2015	
额定电压 Rated Voltage	250 ~ 310VAC	
额定温度 Rated Temperature	-40°C ~ +110°C	
容量范围 Capacitance Range	0.0047μF ~ 2.2μF	
损耗角正切 Dissipation Factor	0.15% or less. at 1Khz, 20±5°C, Pitch ≤ 7.5mm 0.1% or less. at 1Khz, 20±5°C, Pitch > 7.5mm	
绝缘电阻 Insulation Resistance	Terminal to Terminal: ≥ 15000MΩ at DC 100V (C ≤ 0.33μF) ≥ 5000MΩ × μF at DC 100V (C > 0.33μF)	Terminal to Enclosure: ≥ 30000MΩ at DC 100V ≥ 500MΩ at DC 500V
耐压 Withstand Voltage	[Between terminal] : Nothing abnormal shall be found, when a voltage specified below is applied 1500VDC for 3 sec. [Between terminal and enclosure] : Nothing abnormal shall be found when apply a voltage of 2050VAC for 1 minute.	

额定电压 脉冲斜率 dV/dt (V/μs) Rated Voltage Pulse Slope dV/dt (V/μs)	Pitch V _R	7.5 mm	10 mm	15 mm	22.5 mm	27.5 mm	37.5 mm
	560VDC	500	400	300	180	120	70
气候类别 Climate Category	代碼字母G和數位元40 = 最低极限温度... -40°C 代碼字母M和數位元110 = 最高极限温度... +110°C 代碼字母F和數位元56 = 相对湿度的最大限值 [湿热试验天数... 56天] 代碼字母B = 阻燃性類別 code letter G and number 40 = Minimum limit temperature... -40°C code letter M and number 110 = Maximum limit temperature... +110°C code letter F and number 56 = Maximum limit of Relative Humidity [The days of damp heat test....56 days] code letter B = Category of Passive flammability.						

安全认证 Safety Approvals:

LOGO MARK	COUNTRY	APPROVAL STANDARD	APPROVAL NO.	CLASS	CAP. RANGE	RATED VOLTAGE
UL 	U.S.A CANADA	UL 60384-14:2010	E149075	X2	0.0047μF ~ 10.0μF	250 ~ 310VAC
CB	EUROPE	IEC 60384-14:2013	SE-93931	X2	0.0047μF ~ 10.0μF	250 ~ 310VAC
ENEC 	EUROPE	EN 60384-14:2013	SE/0252-5E	X2	0.0047μF ~ 10.0μF	250 ~ 310VAC
CQC 	CHINA	GB/T 6346.14-2015	CQC09001029854	X2	0.0047μF ~ 10.0μF	250 ~ 310VAC

Cap. (μF) | 标准单位 (Size unit): mm

R.V.	275VAC, 305VAC, 310VAC					
Size Cap (μF)	W ±0.3	H ±0.3	T ±0.3	P	dØ ±0.05	料号 Part Number
0.0047	10.0	8.0	4.0	7.5	0.6	MKP-472*****AB*07*-PV
0.0056	10.0	8.0	4.0	7.5	0.6	MKP-562*****AB*07*-PV
0.0068	10.0	8.0	4.0	7.5	0.6	MKP-682*****AB*07*-PV
0.0082	10.0	8.0	4.0	7.5	0.6	MKP-822*****AB*07*-PV
0.01	10.0	8.0	4.0	7.5	0.6	MKP-103*****AB*07*-PV
0.015	10.0	8.0	4.0	7.5	0.6	MKP-153*****AB*07*-PV
0.022	10.0	8.0	4.0	7.5	0.6	MKP-223*****AB*07*-PV
0.033	10.0	9.0	5.0	7.5	0.6	MKP-333*****AB*07*-PV
0.047	10.0	10.0	5.0	7.5	0.6	MKP-473*****AB*07*-PV
0.056	10.0	11.0	5.0	7.5	0.6	MKP-563*****AB*07*-PV
0.068	10.0	12.0	6.0	7.5	0.6	MKP-683*****AB*07*-PV
0.082	10.0	12.0	6.0	7.5	0.6	MKP-823*****AB*07*-PV

R.V.	275VAC, 305VAC, 310VAC					
Size Cap (μF)	W ±0.3	H ±0.3	T ±0.3	P	dØ ±0.05	料号 Part Number
0.1	10.0	13.0	7.0	7.5	0.6	MKP-104*****AB*07*-PV
0.0047	13.0	8.0	4.0	10.0	0.6	MKP-472*****AB*10*-PV
0.0056	13.0	9.0	4.0	10.0	0.6	MKP-562*****AB*10*-PV
0.0068	13.0	9.0	4.0	10.0	0.6	MKP-682*****AB*10*-PV
0.0082	13.0	9.0	4.0	10.0	0.6	MKP-822*****AB*10*-PV
0.01	13.0	9.0	4.0	10.0	0.6	MKP-103*****AB*10*-PV
0.015	13.0	9.0	4.0	10.0	0.6	MKP-153*****AB*10*-PV
0.022	13.0	9.0	4.0	10.0	0.6	MKP-223*****AB*10*-PV
0.033	13.0	9.0	4.0	10.0	0.6	MKP-333*****AB*10*-PV
0.047	13.0	9.0	4.0	10.0	0.6	MKP-473*****AB*10*-PV
0.056	13.0	9.5	4.5	10.0	0.6	MKP-563*****AB*10*-PV
0.068	13.0	10.0	5.0	10.0	0.6	MKP-683*****AB*10*-PV

R.V.	275VAC, 305VAC, 310VAC					
Size Cap (μ F)	W ± 0.3	H ± 0.3	T ± 0.3	P	d ϕ ± 0.05	料号 Part Number
0.082	13.0	11.0	5.0	10.0	0.6	MKP-823*****AB*10*-PV
0.1	13.0	11.0	5.0	10.0	0.6	MKP-104*****AB*10*-PV
0.12	13.0	12.0	6.0	10.0	0.6	MKP-124*****AB*10*-PV
0.15	13.0	12.0	7.0	10.0	0.6	MKP-154*****AB*10*-PV
0.22	13.0	14.0	8.0	10.0	0.6	MKP-224*****AB*10*-PV
0.15	15.0	11.5	6.0	12.5	0.6	MKP-154*****AB*12*-PV
0.22	15.0	12.5	7.0	12.5	0.6	MKP-224*****AB*12*-PV
0.33	15.0	14.0	8.5	12.5	0.6	MKP-334*****AB*12*-PV
0.39	15.0	15.0	9.0	12.5	0.6	MKP-394*****AB*12*-PV
0.47	15.0	16.0	10.0	12.5	0.6	MKP-474*****AB*12*-PV
0.56	15.0	17.0	11.0	12.5	0.6	MKP-564*****AB*12*-PV
0.01	18.0	8.0	4.0	15.0	0.6	MKP-103*****AB*15*-PV
0.015	18.0	8.0	4.0	15.0	0.6	MKP-153*****AB*15*-PV
0.022	18.0	9.0	4.0	15.0	0.6	MKP-223*****AB*15*-PV
0.033	18.0	9.0	4.0	15.0	0.6	MKP-333*****AB*15*-PV
0.047	18.0	9.0	4.0	15.0	0.6	MKP-473*****AB*15*-PV
0.056	18.0	9.0	4.0	15.0	0.6	MKP-563*****AB*15*-PV
0.068	18.0	10.0	4.0	15.0	0.6	MKP-683*****AB*15*-PV
0.082	18.0	10.0	5.0	15.0	0.8	MKP-823*****AB*15*-PV
0.1	18.0	10.0	5.0	15.0	0.8	MKP-104*****AB*15*-PV
0.12	18.0	10.0	5.0	15.0	0.8	MKP-124*****AB*15*-PV
0.15	18.0	10.5	5.0	15.0	0.8	MKP-154*****AB*15*-PV
0.22	18.0	11.5	6.0	15.0	0.8	MKP-224*****AB*15*-PV
0.33	18.0	13.0	7.0	15.0	0.8	MKP-334*****AB*15*-PV
0.39	18.0	13.5	7.5	15.0	0.8	MKP-394*****AB*15*-PV
0.47	18.0	14.0	8.0	15.0	0.8	MKP-474*****AB*15*-PV
0.56	18.0	15.0	9.0	15.0	0.8	MKP-564*****AB*15*-PV
0.68	18.0	16.0	10.0	15.0	0.8	MKP-684*****AB*15*-PV
0.82	18.0	17.5	10.0	15.0	0.8	MKP-824*****AB*15*-PV
1.0	18.0	18.5	11.0	15.0	0.8	MKP-105*****AB*15*-PV
0.15	26.0	11.0	5.0	22.5	0.8	MKP-154*****AB*22*-PV

R.V.	275VAC, 305VAC, 310VAC					
Size Cap (μ F)	W ± 0.3	H ± 0.3	T ± 0.3	P	d ϕ ± 0.05	料号 Part Number
0.22	26.0	11.0	5.0	22.5	0.8	MKP-224*****AB*22*-PV
0.33	26.0	12.0	6.0	22.5	0.8	MKP-334*****AB*22*-PV
0.39	26.0	12.0	6.0	22.5	0.8	MKP-394*****AB*22*-PV
0.47	26.0	14.0	6.0	22.5	0.8	MKP-474*****AB*22*-PV
0.56	26.0	14.0	7.0	22.5	0.8	MKP-564*****AB*22*-PV
0.68	26.0	15.0	7.5	22.5	0.8	MKP-684*****AB*22*-PV
0.82	26.0	16.0	8.0	22.5	0.8	MKP-824*****AB*22*-PV
1.0	26.0	17.0	9.0	22.5	0.8	MKP-105*****AB*22*-PV
1.2	26.0	19.5	9.0	22.5	0.8	MKP-125*****AB*22*-PV
1.5	26.0	21.0	10.0	22.5	0.8	MKP-155*****AB*22*-PV
1.8	26.0	23.0	12.5	22.5	0.8	MKP-185*****AB*22*-PV
2.2	26.0	24.0	13.5	22.5	0.8	MKP-225*****AB*22*-PV
2.2	26.0	22.0	15.0	22.5	0.8	MKP-225*****AB*22*-PV
0.47	31.0	13.5	6.0	27.5	0.8	MKP-474*****AB*27*-PV
0.56	31.0	14.0	6.5	27.5	0.8	MKP-564*****AB*27*-PV
0.68	31.0	15.5	6.5	27.5	0.8	MKP-684*****AB*27*-PV
0.82	31.0	16.0	7.5	27.5	0.8	MKP-824*****AB*27*-PV
1.0	31.0	17.0	8.0	27.5	0.8	MKP-105*****AB*27*-PV
1.2	31.0	17.5	9.0	27.5	0.8	MKP-125*****AB*27*-PV
1.5	31.0	18.5	10.0	27.5	0.8	MKP-155*****AB*27*-PV
1.8	31.0	20.5	12.0	27.5	0.8	MKP-185*****AB*27*-PV
2.2	31.0	22.0	13.0	27.5	0.8	MKP-225*****AB*27*-PV