

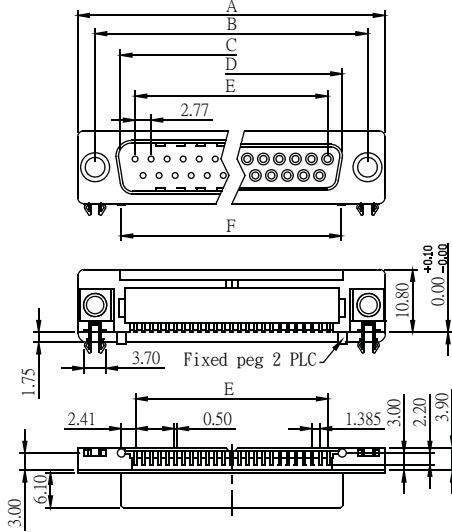
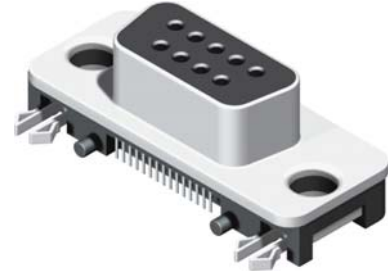
D-SUB Slim SMT Right Angle Type

Specifications

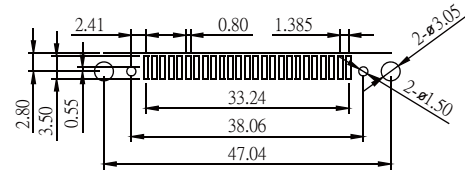
Current Rate: 3 AMP
 Insulation Resistance: 1000MΩ Min.
 Contact Resistance: 20mΩ Max.
 Dielectric Voltage: 500V AC for one minute
 Operation Temperature: -55°C to +105°C

Material

Insulator: Polyester, UL 94V-0
 © Standard: Nylon 6T
 Terminal: Copper Alloy



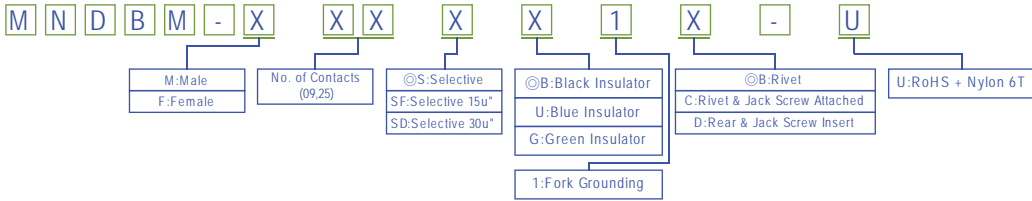
No. of Contacts	Dim. A	Dim. B	Dim. C	Dim. D	Dim. E	Dim. F
9	30.81	24.99	16.92	16.33	11.08	15.90
25	53.04	47.04	38.96	38.38	33.24	38.06



Pin Number : 1 14 2 15 3 16 4 17 5 18 6 19 7 20 8 21 9 22 10 23 11 24 12 25 13

Recommended 25PIN PCB Layout

Order Information



D-SUB Slim Right Angle Type

Specifications

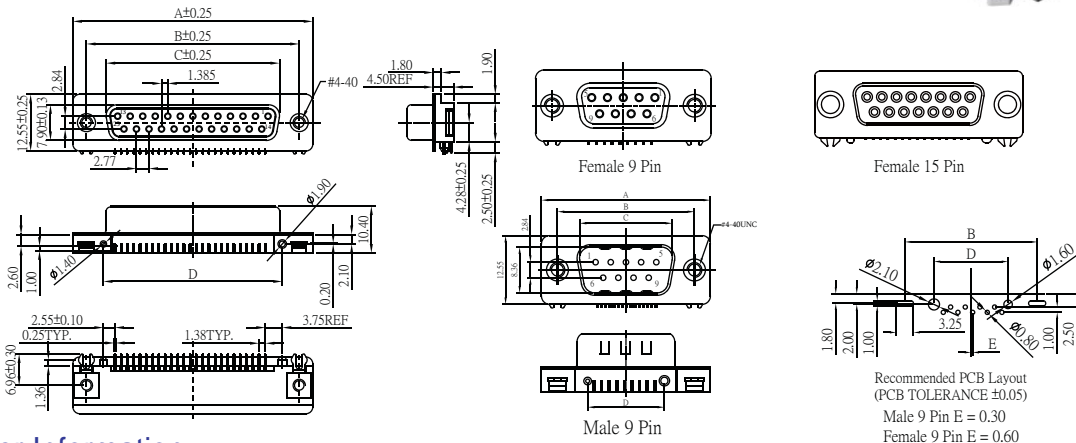
Current Rate: 3 AMP
 Insulation Resistance: 1000MΩ Min.
 Contact Resistance: 20mΩ Max.
 Dielectric Voltage: 500V AC for one minute
 Operation Temperature: -55°C to +105°C

Material

Insulator: Polyester, UL 94V-0
 © Standard: PBT
 Terminal: Copper Alloy

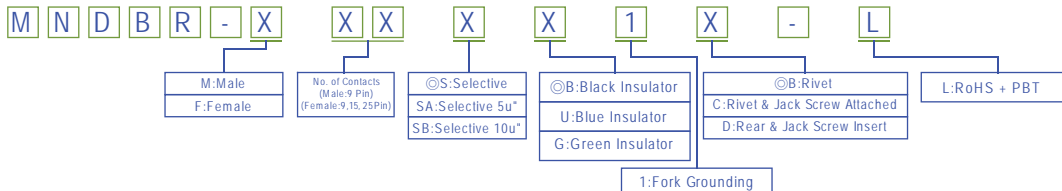


No. of Contacts	Dim. A	Dim. B	Dim. C	Dim. D	Dim. E
9(Male)	30.81	24.99	16.92	14.00	0.30
9(Female)	30.81	24.99	16.33	16.00	0.60
15	39.14	33.32	24.66	25.64	0.60
25	53.04	47.04	38.38	39.54	0.60



Recommended PCB Layout
 (PCB TOLERANCE ±0.05)
 Male 9 Pin E = 0.30
 Female 9 Pin E = 0.60

Order Information



Type See Page 5-1

D-SUB Comm. Series

RoHS