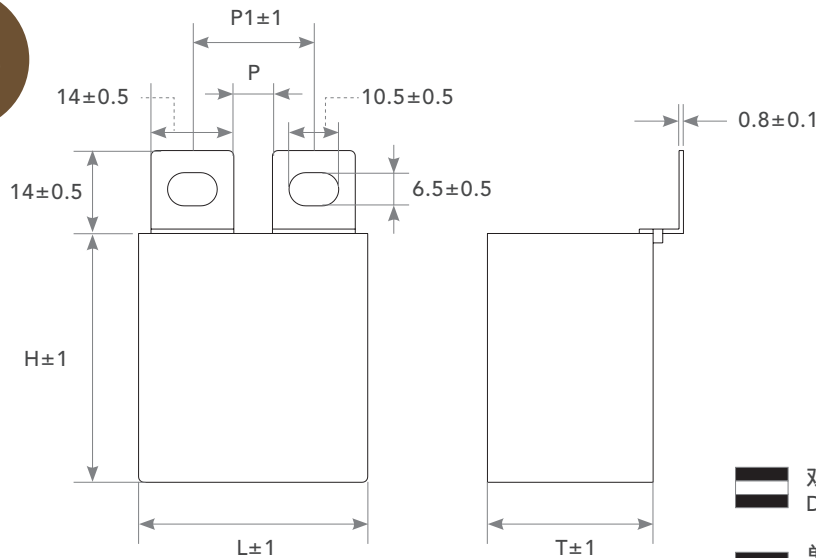


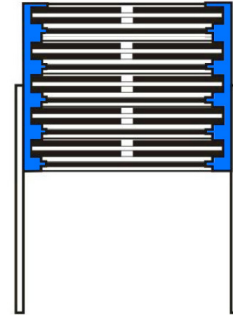
金属化聚丙烯薄膜电容(MPIS)吸收电容

METALLIZED POLYPROPYLENE FILM CAPACITOR-RADIAL (MPIS) SNUBBER

MPIS



W: 42.5 mm P1: 21~27 mm



- 双面金属化聚酯薄膜
Double Side Metallized Polypropylene Film
- 单面金属化聚丙烯薄膜
Metallized Polypropylene Film
- 金属喷涂层
Metal Spray Layer
- 连接線
Connecting Wire

结构 Construction:

- 电介质: 金属化聚丙烯薄膜
Dielectric: Metallized Polypropylene Film
- 结构: 加长双端面金属化载体膜, 内部串联和金属化膜
Construction: Extended double side metallized carrier film with internal series connection and metallized film
- 接线端子: 用于螺钉固定的镀锡铜耳(无铅)
Terminals: Tinned copper lugs (lead-free) for screw fixing
- 外层: 阻燃塑胶外壳, 环氧树脂填充
Outer Coating: Flame retarding plastic case and epoxy filled

特点 Feature:

- 高电压、大电流
High voltage, High current
- 良好的自愈性
Self-healing properties
- 低电阻
Low ESR

推荐应用 Recommended Application:

- 直接安装在IGBT模組上
Direct mount on IGBT modules
- 变频器
Frequency converters
- 电动机驱动器
Motor drives
- 光伏和风力逆变器
Photovoltaic and wind inverters

电气特性 Electrical Characteristics:

| | |
|---|---|
| 引用标准 Related Documents | IEC 61071/60068 |
| 额定电压 Rated Voltage | 850, 1000, 1200, 1600, 2000 VDC |
| 额定温度 Rated Temperature | -40°C ~ +85°C |
| 最大运行温度(外壳) Maximum Operating Temperature(Case) | 105°C Derating ratio of rated voltage to +85°C ~ +105°C: 1.25% per °C for Rated Voltage |
| 容量范围 Capacitance Range | 0.1 μF ~ 2.5 μF |
| 容量误差 Capacitance Tolerance | ±5% (J), ±10% (K) |
| 绝缘电阻 Insulation Resistance | Terminal to Terminal: (at 20°C ±5°C), Voltage charge time: 1 minute. Voltage: 100VDC ≥ 100,000MΩ For C ≤ 0.33μF, ≥ 30,000s For C > 0.33μF |
| 耐压 Withstand Voltage | Terminal to Terminal: (at 20°C ±5°C) 1.6 × UR (DC) applied for 10sec. / 2 × UR (DC) applied for 2sec. |
| 损耗角正切 Dissipation Factor | ≤ 0.0005 (at 1 KHz) |

V_{NDC} = 850VDC, V_{AC} = 500VAC

| Cap (μF) | V _{NDC} | Dimensions (mm) | | | dv/dt V/μs | I _{PEAK} A | ESR 100Khz mΩ | I _{rms} 100Khz A | 料号 Part Number |
|-------------|------------------|--------------------|------|------|---------------|------------------------|---------------------|---------------------------------|----------------------|
| | | W | H | T | | | | | |
| 0.82 | 850 | 42.5 | 27.5 | 24.5 | 750 | 615 | 7.0 | 15 | MPIS824J0850D20814-A |
| 1.0 | 850 | 42.5 | 27.5 | 24.5 | 750 | 750 | 6.5 | 17 | MPIS105J0850D20814-A |
| 1.5 | 850 | 42.5 | 35.5 | 33.5 | 750 | 1125 | 5.5 | 22 | MPIS155J0850D20814-A |
| 2.0 | 850 | 42.5 | 45 | 33 | 750 | 1500 | 5.5 | 26 | MPIS205J0850D20814-A |
| 2.5 | 850 | 42.5 | 45 | 33 | 750 | 1875 | 5.0 | 27 | MPIS255J0850D20814-A |

V_{NDC} = 1000VDC, V_{AC} = 550VAC

| Cap (μF) | V _{NDC} | Dimensions (mm) | | | dv/dt V/μs | I _{PEAK} A | ESR 100Khz mΩ | I _{rms} 100Khz A | 料号 Part Number |
|-------------|------------------|--------------------|------|------|---------------|------------------------|---------------------|---------------------------------|----------------------|
| | | W | H | T | | | | | |
| 0.47 | 1000 | 42.5 | 27.5 | 24.5 | 850 | 399.5 | 7.5 | 14 | MPIS474J1000D20814-A |
| 0.68 | 1000 | 42.5 | 27.5 | 24.5 | 850 | 578 | 6.0 | 16 | MPIS684J1000D20814-A |
| 0.82 | 1000 | 42.5 | 27.5 | 24.5 | 850 | 697 | 6.0 | 18 | MPIS824J1000D20814-A |
| 1.0 | 1000 | 42.5 | 35.5 | 33.5 | 850 | 850 | 5.5 | 19 | MPIS105J1000D20814-A |
| 1.2 | 1000 | 42.5 | 35.5 | 33.5 | 850 | 1020 | 5.0 | 21 | MPIS125J1000D20814-A |
| 1.5 | 1000 | 42.5 | 35.5 | 33.5 | 850 | 1275 | 5.0 | 22 | MPIS155J1000D20814-A |
| 2.0 | 1000 | 42.5 | 45 | 33 | 850 | 1700 | 5.0 | 23 | MPIS205J1000D20814-A |
| 2.2 | 1000 | 42.5 | 45 | 33 | 850 | 1870 | 5.0 | 23 | MPIS225J1000D20814-A |
| 2.5 | 1000 | 42.5 | 45 | 33 | 850 | 2125 | 4.5 | 24 | MPIS255J1000D20814-A |

$V_{NDC} = 1200VDC, V_{AC} = 630VAC$

| Cap (μF) | V_{NDC} | Dimensions (mm) | | | dv/dt V/ μs | I_{PEAK} A | ESR 100Khz m Ω | Irms 100Khz A | 料号 Part Number |
|--------------------|-----------|--------------------|------|------|---------------------|-----------------|-----------------------------|---------------------|----------------------|
| | | W | H | T | | | | | |
| 0.33 | 1200 | 42.5 | 27.5 | 24.5 | 1000 | 330 | 8 | 12 | MPIS334J1200D20814-A |
| 0.47 | 1200 | 42.5 | 27.5 | 24.5 | 1000 | 470 | 7 | 14 | MPIS474J1200D20814-A |
| 0.68 | 1200 | 42.5 | 35.5 | 33.5 | 1000 | 680 | 6 | 18 | MPIS684J1200D20814-A |
| 0.82 | 1200 | 42.5 | 35.5 | 33.5 | 1000 | 820 | 5.5 | 20 | MPIS824J1200D20814-A |
| 1.0 | 1200 | 42.5 | 35.5 | 33.5 | 1000 | 1000 | 5 | 21 | MPIS105J1200D20814-A |
| 1.2 | 1200 | 42.5 | 35.5 | 33.5 | 1000 | 1200 | 5 | 22 | MPIS125J1200D20814-A |
| 1.5 | 1200 | 42.5 | 45 | 33 | 1000 | 1500 | 4.5 | 26 | MPIS155J1200D20814-A |

$V_{NDC} = 1600VDC, V_{AC} = 650VAC$

| Cap (μF) | V_{NDC} | Dimensions (mm) | | | dv/dt V/ μs | I_{PEAK} A | ESR 100Khz m Ω | Irms 100Khz A | 料号 Part Number |
|--------------------|-----------|--------------------|------|------|---------------------|-----------------|-----------------------------|---------------------|----------------------|
| | | W | H | T | | | | | |
| 0.33 | 1600 | 42.5 | 27.5 | 24.5 | 1200 | 396 | 8 | 13 | MPIS334J1600D20814-A |
| 0.47 | 1600 | 42.5 | 27.5 | 24.5 | 1200 | 564 | 7 | 15 | MPIS474J1600D20814-A |
| 0.68 | 1600 | 42.5 | 35.5 | 33.5 | 1200 | 816 | 6 | 18 | MPIS684J1600D20814-A |
| 0.82 | 1600 | 42.5 | 35.5 | 33.5 | 1200 | 984 | 5.5 | 20 | MPIS824J1600D20814-A |
| 1.0 | 1600 | 42.5 | 45 | 33 | 1200 | 1200 | 5 | 22 | MPIS105J1600D20814-A |

$V_{NDC} = 2000VDC, V_{AC} = 700VAC$

| Cap (μF) | V_{NDC} | Dimensions (mm) | | | dv/dt V/ μs | I_{PEAK} A | ESR 100Khz m Ω | Irms 100Khz A | 料号 Part Number |
|--------------------|-----------|--------------------|------|------|---------------------|-----------------|-----------------------------|---------------------|----------------------|
| | | W | H | T | | | | | |
| 0.1 | 2000 | 42.5 | 27.5 | 24.5 | 1600 | 160 | 20 | 8 | MPIS104J2000D20814-A |
| 0.15 | 2000 | 42.5 | 27.5 | 24.5 | 1600 | 240 | 15 | 10 | MPIS154J2000D20814-A |
| 0.22 | 2000 | 42.5 | 27.5 | 24.5 | 1600 | 352 | 10 | 12 | MPIS224J2000D20814-A |
| 0.33 | 2000 | 42.5 | 27.5 | 24.5 | 1600 | 528 | 8 | 13 | MPIS334J2000D20814-A |
| 0.47 | 2000 | 42.5 | 35.5 | 33.5 | 1600 | 752 | 7 | 16 | MPIS474J2000D20814-A |
| 0.68 | 2000 | 42.5 | 35.5 | 33.5 | 1600 | 1088 | 6 | 18 | MPIS684J2000D20814-A |
| 0.82 | 2000 | 42.5 | 45 | 33 | 1600 | 1312 | 5.5 | 21 | MPIS824J2000D20814-A |
| 1.0 | 2000 | 42.5 | 45 | 33 | 1600 | 1600 | 5 | 22 | MPIS105J2000D20814-A |