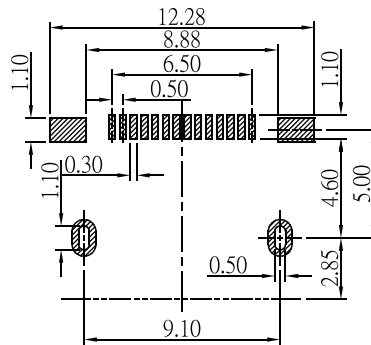
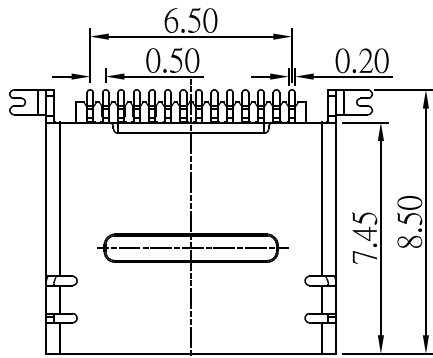
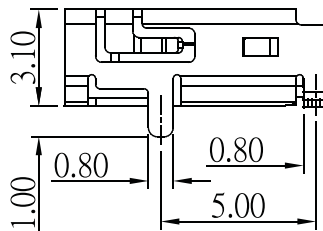
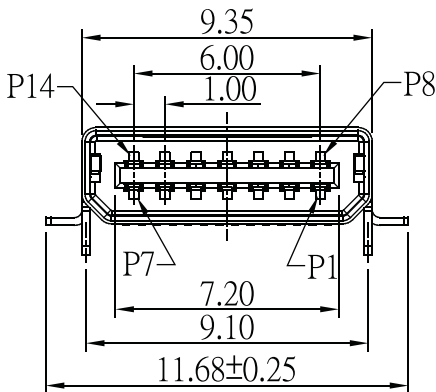




Mini USB Female SMT Type 14P



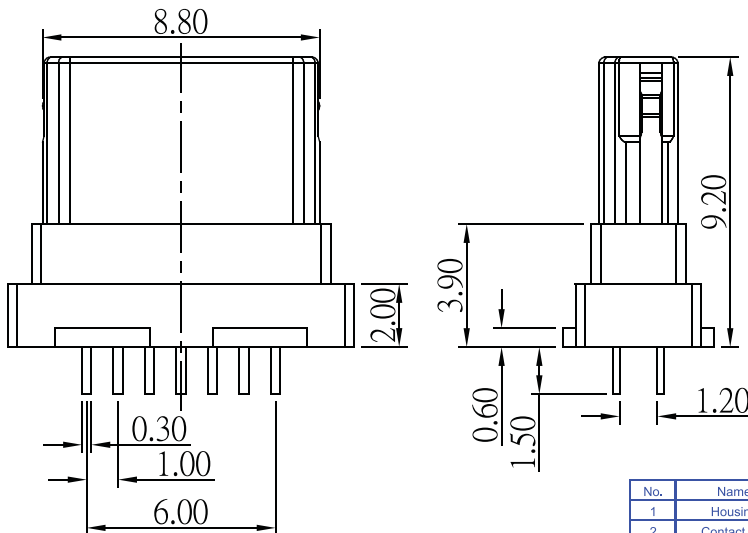
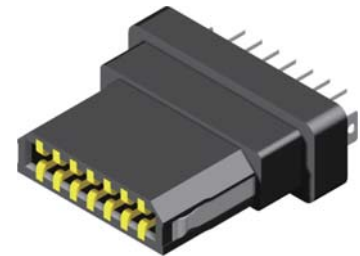
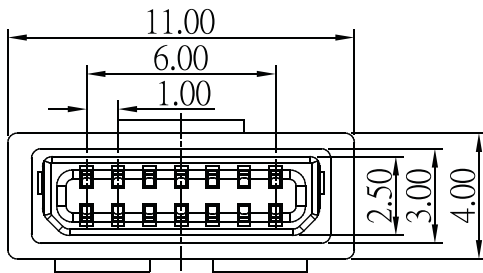
Recommended PCB Layout
(PCB TOLERANCE ±0.05)



No.	Parts	QTY	
1	Housing	1	LCP(UL94-V0)Black
2	Contact Pin	14	Copper T=0.2 Under Plated 50u" Min. Nickel Over All Gold Over All, Gold Plated in Contact Area
3	Shell Cover	1	Copper T=0.25 Ni Over All

Part No.:MUSB-F14M-U

Mini USB Male Solder Type 14P



No.	Name	QTY	Material	Remarks & Thickness	Finish
1	Housing	1	PBT	UL94-V0	Black
2	Contact Pin	14	Phosphor Bronze	T=0.2mm	Gold/Tin
3	Latch	2	Phosphor Bronze	T=0.2mm	Tin
4	Cover	1	PBT	UL94-V0	Black

Part No.:MUSB-M14S-L

Mini USB



ROHS