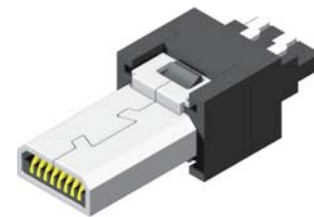
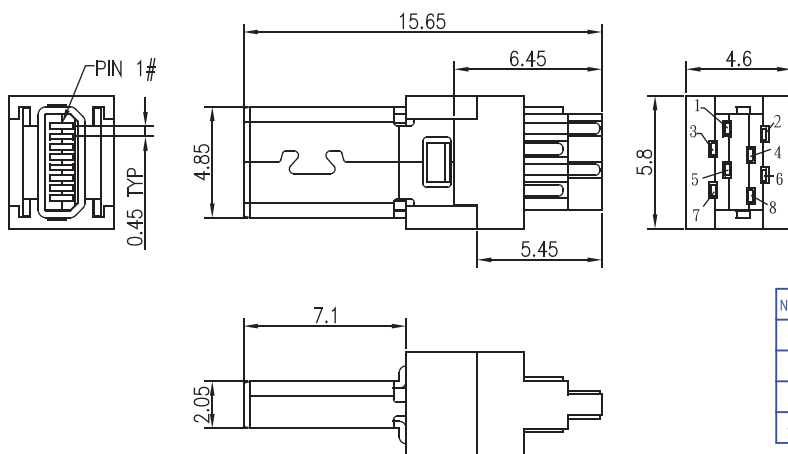




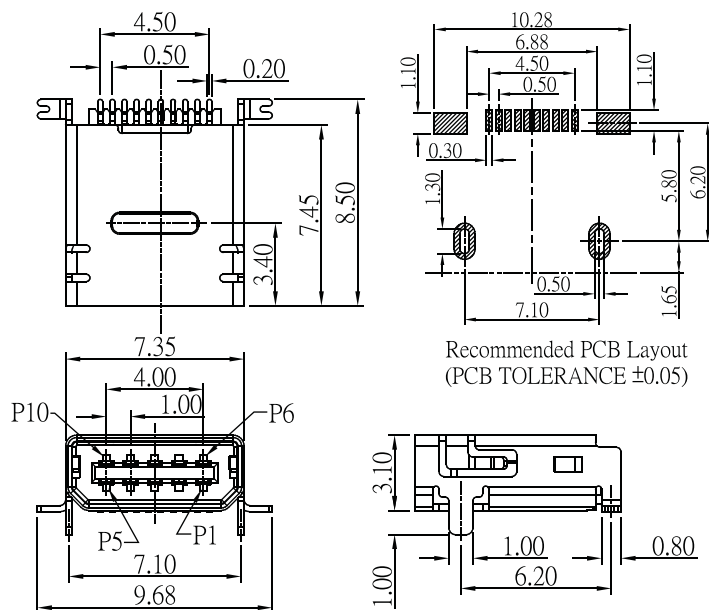
## Mini USB Male Solder Type 8P



No.	Description	Q'ty	Material	Treatment
1	Shell	1	Copper Alloy	Nickel
2	Back Housing	1	PBT	Molded Black
3	Front-Shell	1	LCP	Molded Black
4	Contact	8	Copper Alloy	Contact Area: AU 10u" Min Plating

**Part No.:MUSB-M108S-U**

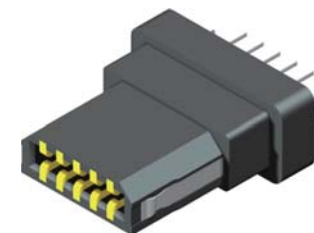
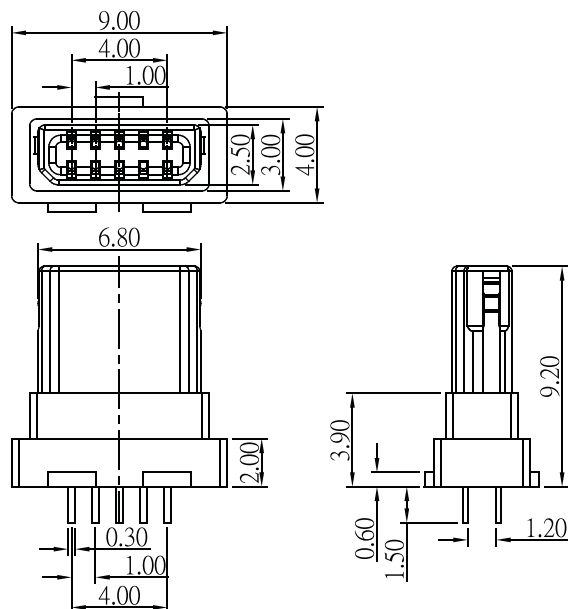
## Mini USB Female SMT Type 10P



No.	Parts	QTY	
1	Housing	1	LCP(UL94-V0)Black
2	Contact Pin	10	Copper T=0.2 Under Plated 50u" Min. Nickel Over All Gold Over All, Gold Plated in Contact Area
3	Shell Cover	1	Copper T=0.25 Ni Over All

**Part No.:MUSB-F10M-U**

## Mini USB Male Solder Type 10P



No.	Name	QTY	Material	Remarks & Thickness	Finish
1	Housing	1	PBT	UL94-V0	Black
2	Contact Pin	10	Phosphor Bronze	T=0.2mm	Gold/Tin
3	Latch	2	Phosphor Bronze	T=0.2mm	Tin
4	Cover	1	PBT	UL94-V0	Black

**Part No.:MUSB-M10S-L**

**M**ini USB



**ROHS**

AMTEK CONNECTORS MANUFACTURER