

UL CE



TB2ERHM-5.0  
TB2ERHM-5.08  
5.0mm 5.08mm / 28.4mm

Pitch / Height

Poles

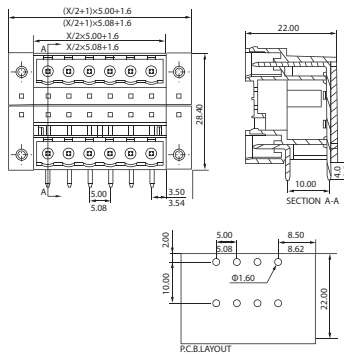
2P~24P

Rated

300V/15A

Wire

Drawing



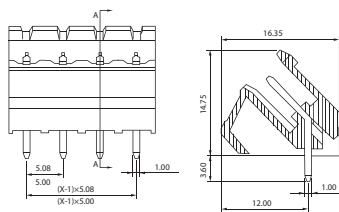
UL CE



TB2EL-5.0  
TB2EL-5.08  
5.0mm 5.08mm / 14.75mm

2P~24P

300V/15A



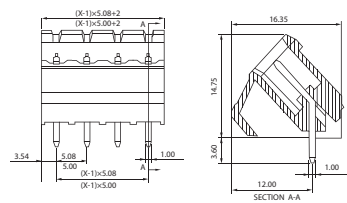
UL CE



TB2ELC-5.0  
TB2ELC-5.08  
5.0mm 5.08mm / 14.75mm

2P~24P

300V/15A



UL CE



TB2ELCM-5.0  
TB2ELCM-5.08  
5.0mm 5.08mm / 14.8mm

Pitch / Height

Poles

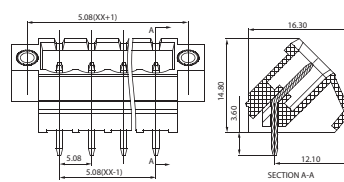
2P~24P

Rated

300V/15A

Wire

Drawing



UL CE

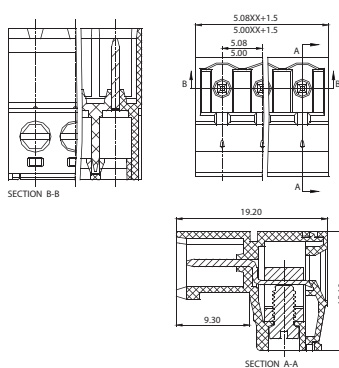


TB2EKR-5.0  
TB2EKR-5.08  
5.0mm 5.08mm / 19.2mm

2P~24P

300V/15A

28-14AWG 2.5mm<sup>2</sup>



TB2EKRM-5.0  
TB2EKRM-5.08  
5.0mm 5.08mm / 19.2mm

2P~24P

300V/15A

28-14AWG 2.5mm<sup>2</sup>

