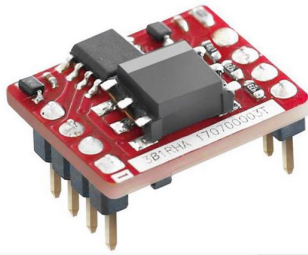


Single high-speed RS485 isolated transceiver module (automatic switching)



RoHS



FEATURES

- Integrated high efficiency isolated DC/DC converter
- Automatic send and receive data function
- Two- port isolation (3.0kVDC)
- High baud rate up to 500kbps
- Operating temperature range: -40°C to +85°C
- The bus is able to support 128 nodes at maximum
- Set isolation and ESD bus protection in one

The main function of the TD3B1D485H-A / TD5B1D485H-A series is to convert a logic level signal into isolated RS485 differential level signals. The special integrated IC technology of the RS485 transceiver achieves isolation between the power supply and the signal lines isolation, does RS485 communication and protects the bus all in one and the same module. The product's isolated power supply withstands a test voltage of up to 3000VDC. In addition, the product features an automatic switching function, that no longer requires the need to pass through the node to send and receive control signals, which to a certain extent, reduces the design complexity. Also, they can easily be embedded in the user's end equipment, to achieve fully functional RS485 network connections.

Selection Guide

Part No.	Mark	Power input (VDC)	Baud rate (bps)	Static Current (mA)	Max. Operating Current (mA)	Number of Nodes
TD3B1D485H-A	3B1RHA	3.15-3.45	500k	37	90	128
TD5B1D485H-A	5B1RHA	4.75-5.25	500k	40	90	128

Limit Specifications

Item	Operating Conditions	Min.	Typ.	Max.	Unit
Input Surge Voltage (1sec.max.)	3.3V series	-0.7	--	5	VDC
	5.0V series	-0.7	--	7	
Pin Welding Resistance Temperature	Soldering time 10s max.	--	--	300	°C

3.3V Input Specifications

Item	Symbol	Min.	Typ.	Max.	Unit
Power Supply Input Voltage	VCC	3.15	3.3	3.45	VDC
TXD Logic Level	High-level	V_{IH}	0.7V _{CC}	3.3	
	Low-level	V_{IL}	0	0.8	
RXD Logic Level	High-level	V_{OH}	V _{CC} -0.4	3.1	
	Low-level	V_{OL}	0	0.2	
TXD Drive Current	I_T	2	--	-	mA
RXD Output Current	I_R	--	--	10	
Serial Interface	Compatible with + 3.3 V UART interface only				

5.0V Input Specifications

Item	Symbol	Min.	Typ.	Max.	Unit
Power Supply Input Voltage	VCC	4.75	5	5.25	VDC
TXD Logic Level	High-level	V_{IH}	0.7V _{CC}	5	
	Low-level	V_{IL}	0	0.8	
RXD Logic Level	High-level	V_{OH}	V _{CC} -0.4	4.8	
	Low-level	V_{OL}	0	0.2	
TXD Drive Current	I_T	2	--	--	mA
RXD Output Current	I_R	--	--	10	
Serial Interface	Compatible with + 5 V UART interface only				

Transmission Specifications

Item	Symbol	Min.	Typ.	Max.	Unit
Data Delay	TXD Transmitter Delay	tr	--	250	ns
	RXD Receiver Delay	tr	--	110	

Output Specifications

Item	Symbol	Min.	Typ.	Max.	Unit
Difference Level	$V_{diff(α)}$, No load	1.5	--	--	VDC
Difference Input Impedance	$-7V \leq V_{CM} \leq +12V$	96	--	--	kΩ
Built-in pull-down resistor		--	47	--	
Bus Interface Protection		ESD protection			

Truth Table Specifications

Transceiver Control	Input		Output		
	CON	TXD	A	B	RXD
Send status	--	1	1	0	1
	--	0	0	1	1
Receive status ^①	CON	$V_A - V_B$	RXD		
	--	$\geq -10mV$	1		
	--	$\leq -200mV$	0		
	--	$-200mV < V_A - V_B < -10mV$	Undefined state		

Note: ① Receiving threshold varies with Vcc will produce subtle error.

General Specifications

Item	Operating Conditions	Value
Isolation Test	Electric Strength Test for 1 min., leakage current <1mA	3000VDC
Insulation Resistance	At 500VDC	1000MΩ (input-output)
Operating Temperature		-40°C to +85°C
Transportation and Storage Temperature		-50°C to +105°C
Operating Humidity	Non-condensing	10% - 90%

Mechanical Specifications

Dimensions	DIP10
Weight	1.9g (Typ.)
Cooling Method	Free air convection

Electromagnetic Compatibility (EMC)

Emissions	CE	CISPR32/EN55032	CLASS A (see Fig. 3)	
Immunity	ESD	IEC/EN 61000-4-2	Contact ±4kV (A, B port)	Perf. Criteria B
		IEC/EN 61000-4-2	Contact ±8kV (see Fig.2, A, B port)	Perf. Criteria B
	EFT	IEC/EN 61000-4-4	±2kV (see Fig.2, A, B port)	Perf. Criteria B
	Surge	IEC/EN 61000-4-5	±2kV (without external components, A, B port)	Perf. Criteria B
		IEC/EN 61000-4-5	±4kV (see Fig.2, A, B port)	Perf. Criteria B
	CS	IEC/EN 61000-4-6	3Vr.m.s	Perf. Criteria A

Application Precautions

1. Carefully read and follow the instructions before use; contact our technical support if you have any question;
2. Do not use the product in hazardous areas;
3. Use only DC power supply source for this product. 220V AC power supply is prohibited;
4. It is strictly forbidden to disassemble the product privately in order to avoid product failure or malfunction.

After-sales service

1. Factory inspection and quality control are strictly enforced before shipping any product; please contact your local representative or our technical support if you experience any abnormal operation or possible failure of the module;
2. The products have a 3-year warranty period, from the date of shipment. The product will be repaired or exchanged free of charge within the warranty period for any quality problem that occurs under normal use.

Applied circuit

Refer to the RS485 Isolated Industrial Bus Interface Module Application Manual.

Design Reference

1. Typical application circuit

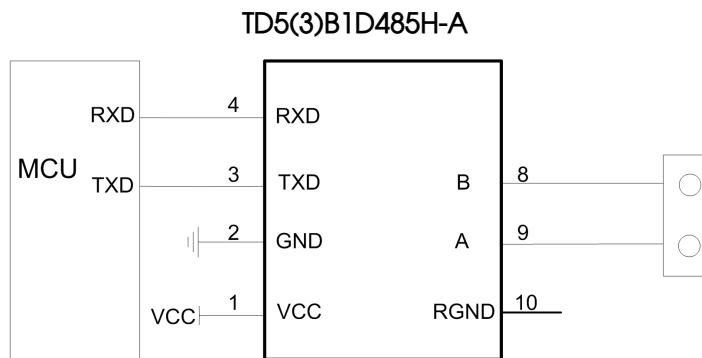


Fig.1

Figure 1 shows a typical connection circuit for the isolated transceiver module TD3B1D485H-A and TD5B1D485H-A. The TD5B1D485H-A module's power supply must be 5V and match the module's TXD and RXD pin interface level of 5V (not supporting any 3.3V system levels). Accordingly, TD3B1D485H-A module's power supply must be 3.3V and match the module's TXD and RXD pin interface level of 3.3V (not supporting any 5V system levels). The module has a built-in 47kΩ pull-down resistor, which under normal circumstances meets the demand for the use of internal pull-up and pull-down resistors.

2. Recommended port protection circuit

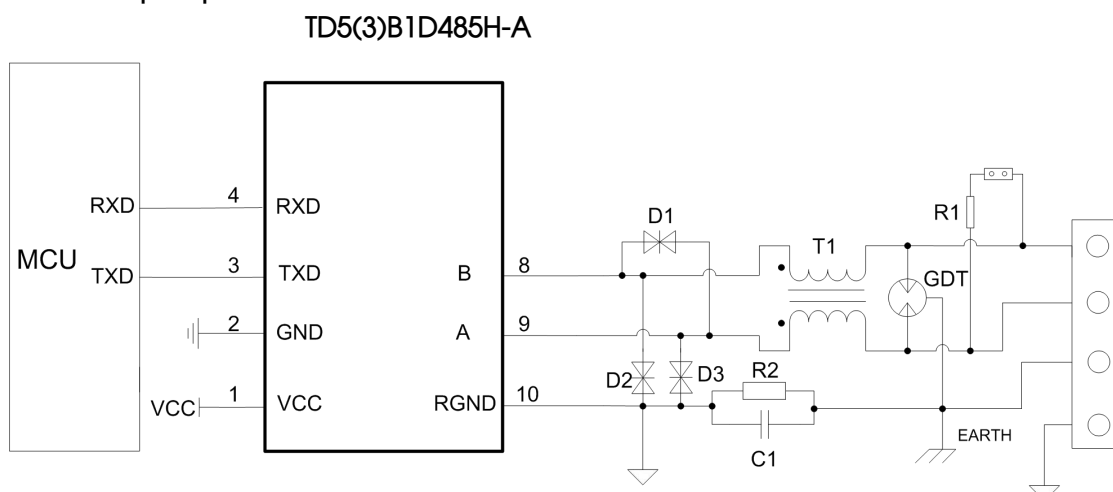


Fig.2

Note: Ground shield of twisted wire pair reliably.

Recommended components and values:

Component	Recommended part, value	Component	Recommended part, value
R1	120Ω	R2	1MΩ
C1	1nF, 2kV	D1	SMBJ12CA
T1	ACM2520-301-2P	D2, D3	SMBJ6.5CA
GDT	S30-A90X		

As the modules internal A / B lines come with its own ESD protection, which generally satisfy most application environments without the need for additional ESD protection devices, as shown in the typical circuit in Figure 1. For harsh and noisy application environments such as motors, high voltage/current switches, lightning and similar however, we recommended that the user protects the module's A / B lines with additional measures and external components such as TVS tube, common mode inductors, Gas discharge tube, shielded twisted pair of wires with the same single network Earth point. Figure 2 shows our recommended circuit diagram for such type of applications with components and values given in the table above. This recommendation is for reference only and may have to be adapted accordingly with appropriate component values in order to match the actual situation and application.

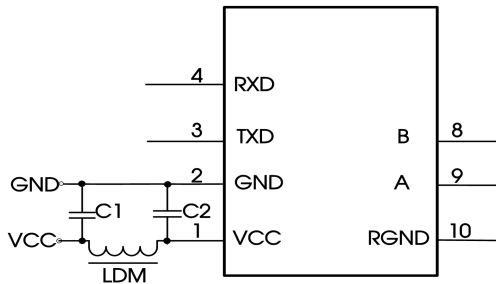


Fig.3

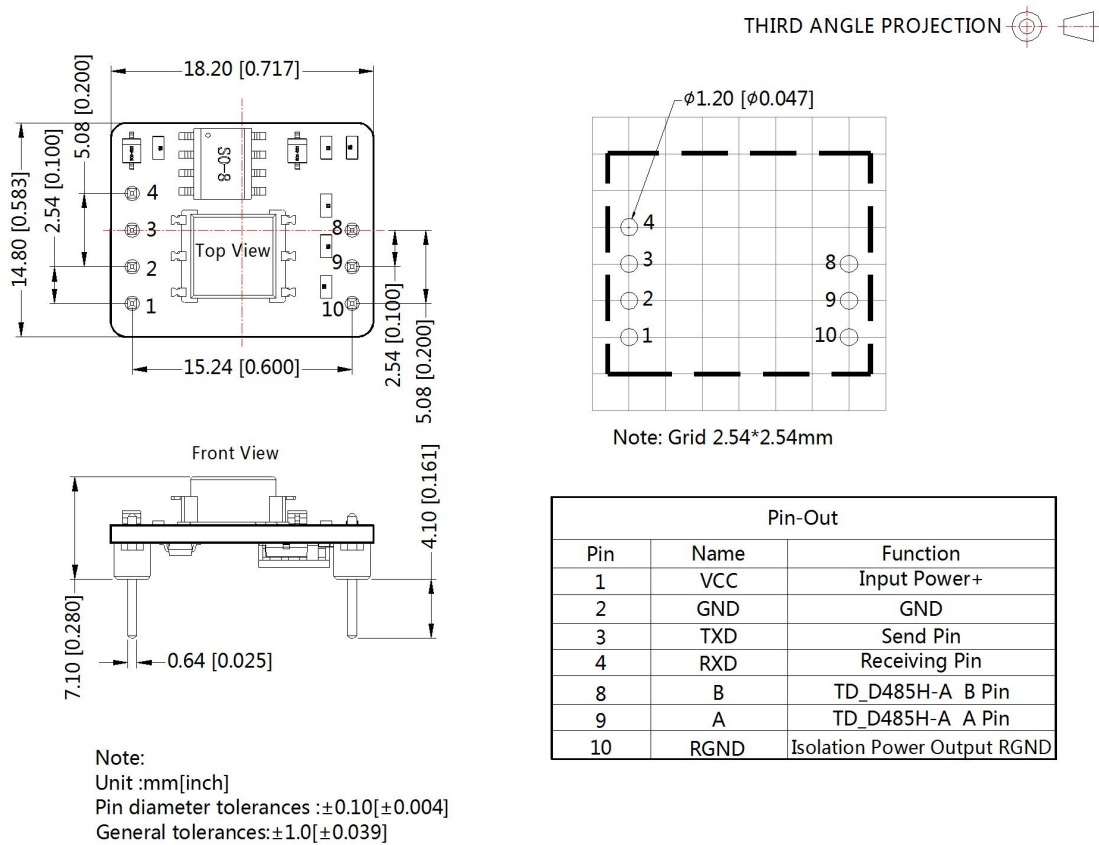
Component	Recommended part, value
C1, C2	1uF/16V
LDM	CD43-12uH

3. Precautions

- 1) Hot-swap is not supported.
- 2) TD5B1D485H-A is for 5V TTL level only (not compatible with 3.3V); TD3B1D485H-A is for 3.3V TTL level only (not compatible with 5V).
- 3) Pin5, Pin6 and Pin7 are not drawn. Please leave pin10 open if unused.
- 4) We recommend using a shielded twisted pair of wires for the Data transmission line and using same single point earth connection for each of the networks.
- 5) Reference the truth table characteristics: When the A / B line differential voltage of the series of embedded isolated RS-485 transceiver module is $\geq -10\text{mV}$, the modules receiving level is high and when the A / B line differential voltage is $\leq -200\text{mV}$ the modules receiving level is low; the modules receiving level is undefined when the A / B line differential voltage is greater than -200mV but less than -10mV , so the design is to ensure that the module will not be receiving this state. Depending on the actual situation, it is up to the user of the RS-485 network design or application to decide whether to add a 120Ω termination resistor. Avoiding data communication errors: Regardless if the RS-485 network is static or dynamic, it is essential to avoid that the differential voltage of A / B line ever comes between -200mV and -10mV .

4. For additional information, please refer to our application note on www.mornsun-power.com

Dimensions and Recommended Layout



Notes:

- For additional information on Product Packaging please refer to www.mornsun-power.com. The Packaging bag number: 58240010;
- Unless otherwise specified, parameters in this datasheet were measured under the conditions of Ta=25°C, humidity<75%RH with nominal input voltage and rated output load;
- There may be slight colour difference on the surface of the PCB, which is normal and does not affect product use;
- All index testing methods in this datasheet are based on company corporate standards;
- The above are the performance indicators of the product models listed in this datasheet. Some indicators of non-standard models will exceed the above requirements. For details, please contact our technical staff;
- We can provide product customization service;
- Products are related to laws and regulations: see "Features" and "EMC";
- Our products shall be classified according to ISO14001 and related environmental laws and regulations, and shall be handled by qualified units.

MORNSUN Guangzhou Science & Technology Co., Ltd.

Address: No. 5, Kehui St. 1, Kehui Development Center, Science Ave., Guangzhou Science City, Luogang District, Guangzhou, P. R. China
Tel: 86-20-38601850 Fax: 86-20-38601272 E-mail: sales@mornsun.cn