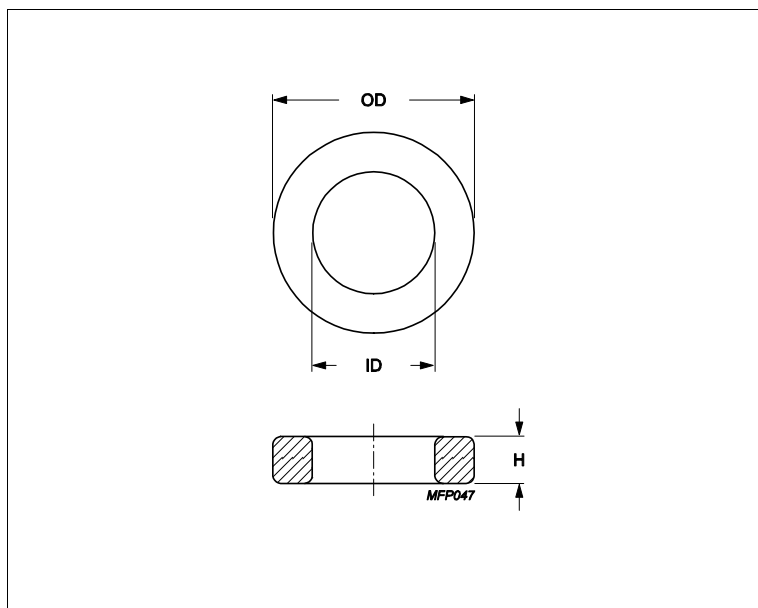


Core **Toroid 102/66/15**



Effective parameters			
	Parameter	Value	Unit
$\Sigma(I/A)$	core factor (C1)	0.956	mm ⁻¹
Ve	effective volume	68200	mm ³
Le	effective length	255	mm
Ae	effective area	267	mm ²
m	mass of core	≈ 325	g/pcs

Epoxy coating DC isolation voltage 2000.

Maximum operating temperature of the coating is 200°C.

Dimensions (mm)

Cores	OD	ID	H	
T102/66/15	102 ± 2	65.8 ± 1.3	15 ± 0.5	Uncoated
TX102/66/15	104.5 max	64.1 min	16 max	Epoxy Coated

Core data

Cores	Material	AI (nH/turns ²)	AI tolerance	μe
T102/66/15	3C11	5690	± 25%	≈ 4300
T102/66/15	3C94	3040	± 25%	≈ 2300
T102/66/15	3E27	7270	± 25%	≈ 5500

Core data

Cores	Material	AI (nH/turns ²)	AI tolerance	μe
TX102/66/15	3C11	5690	± 25%	≈ 4300
TX102/66/15	3C94	3040	± 25%	≈ 2300
TX102/66/15	3E27	7270	± 25%	≈ 5500