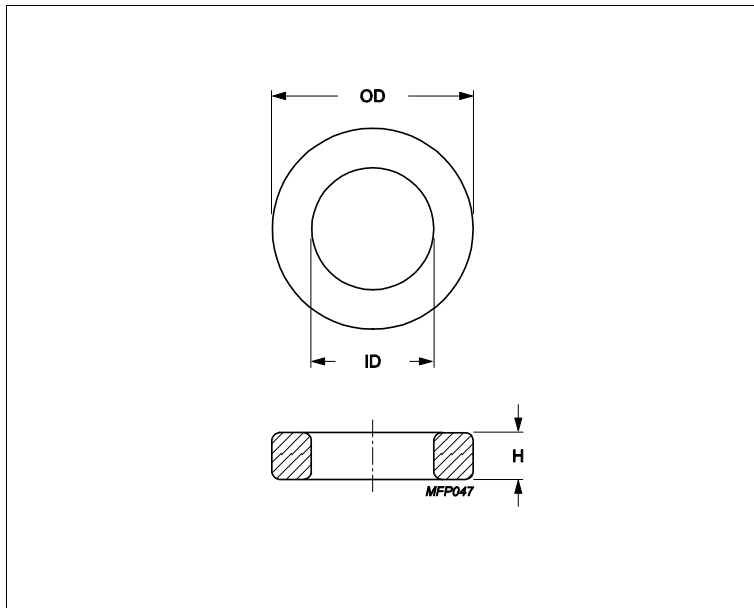


Core **Toroid 10/6/4**



Effective parameters			
	Parameter	Value	Unit
$\Sigma(I/A)$	core factor (C1)	3.07	mm ⁻¹
Ve	effective volume	188	mm ³
Le	effective length	24.1	mm
Ae	effective area	7.8	mm ²
m	mass of core	≈ 0.95	g/pcs

Epoxy coating DC isolation voltage 1000.

Maximum operating temperature of the coating is 200°C.

Dimensions (mm)

Cores	OD	ID	H	
TX10/6/4	10.65 max	5.45 min	4.55 max	Epoxy Coated

Core data

Cores	Material	AI (nH/turns ²)	AI tolerance	$\mu\epsilon$
TX10/6/4	3C94	941	± 25%	≈ 2300
TX10/6/4	3E10	4090	± 20%	≈ 10000
TX10/6/4	3E12	4910	± 30%	≈ 12000
TX10/6/4	3E26 (3E27-M7)	2860	± 25%	≈ 7000
TX10/6/4	3E27	2250	± 25%	≈ 5500
TX10/6/4	3E6 (3E10-M)	4090	± 30%	≈ 10000
TX10/6/4	3E65	2130	± 25%	≈ 5200